

### Features

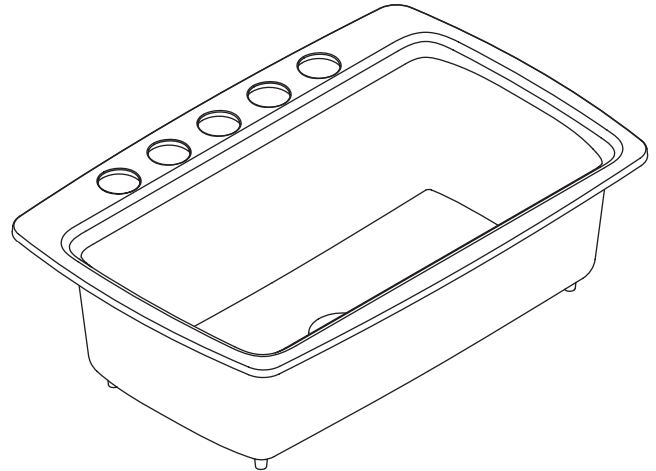
- KOHLER cast iron
- Acid-resistant enamel finish
- Undercounter
- Single compartment
- 5-hole (oversized)
- Undermount sink kit 23" (58.4) included
- 33" (83.8 cm) x 22" (55.9 cm)

### Codes/Standards Applicable

Specified model meets or exceeds the following:

- IAPMO/UPC
- ASME A112.19.1M

## UNDERCOUNTER KITCHEN SINK K-5864-5U



### Colors/Finishes

- 0: White
- Other: Refer to Price Book for additional colors/finishes

### Accessories:

- CP: Polished Chrome
- Other: Refer to Price Book for additional colors/finishes
- NA: None applicable

### Specified Model

| Model                          | Description  | Colors/Finishes                  |                                     |
|--------------------------------|--|----------------------------------|-------------------------------------|
| K-5864-5U                      | 5-hole sink with undermount sink kit 23" (58.4 cm) | <input type="checkbox"/> 0 White | <input type="checkbox"/> Other_____ |
| <b>Recommended Accessories</b> |  |                                  |                                     |
| K-9000                         | P-Trap   | <input type="checkbox"/> CP      |                                     |
| <b>Optional Accessories</b>    |  |                                  |                                     |
| K-6637                         | Hardwood cutting board                             | <input type="checkbox"/> NA      |                                     |
| K-8801                         | Duostrainer® sink strainer                         | <input type="checkbox"/> CP      | <input type="checkbox"/> Other_____ |
| K-5807                         | Undermount sink kit 36" (91.4 cm)                  | <input type="checkbox"/> CP      | <input type="checkbox"/> Other_____ |

### Product Specification:

The undercounter sink shall be 33" (83.8 cm) in length and 22" (55.9 cm) in width. Sink shall be made cast iron with acid resistant enamel finish. Sink shall be single compartment. Sink shall be 5-hole (oversized). Sink shall include undermount sink kit 23" (58.4 cm). Sink shall be Kohler Model K-5864-5U-\_\_\_\_\_.

# CAPE DORY™

## Technical Information

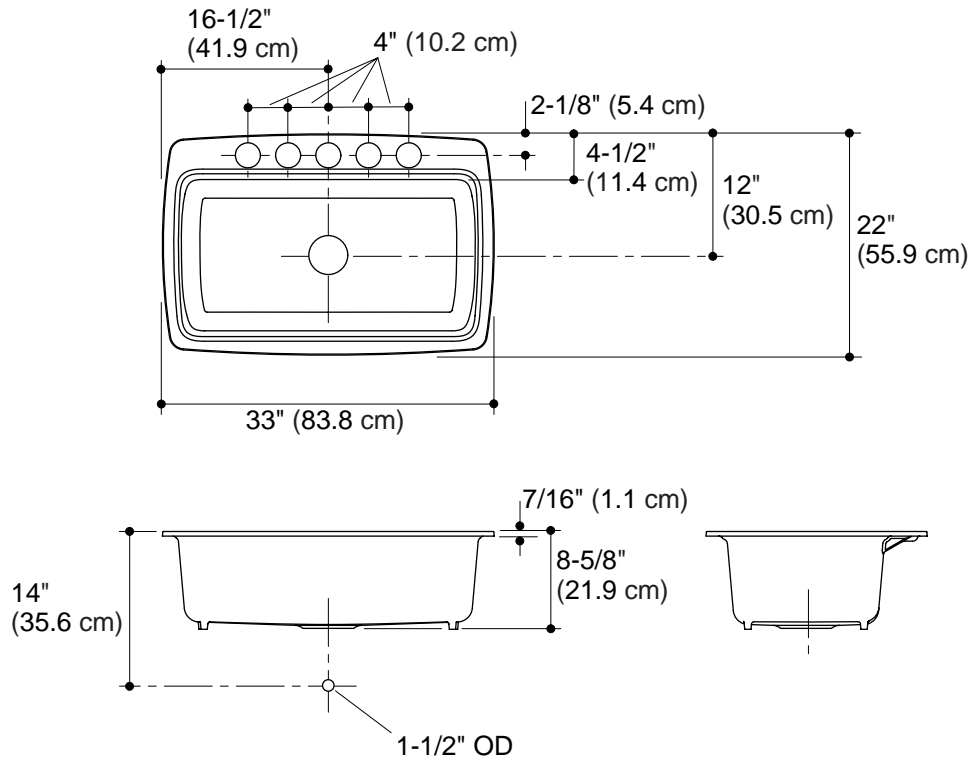
| Fixture*:                                       | Basin area                       | Water depth  |
|---|----------------------------------|--------------|
| Sink  | 29" (73.7 cm)<br>x 15" (38.1 cm) | 9" (22.9 cm) |
| Drain hole                                      | 3-5/8" (9.2 cm) D.               |              |
| Faucet holes                                    | 2-3/8" (6 cm) D.                 |              |
| * Approximate measurements for comparison only. |                                  |              |

| Included components:                 |           |
|--------------------------------------|-----------|
| Cut-out template                     | 1034873-7 |
| Undermount sink kit<br>23" (58.4 cm) | 1054375   |

## Installation Notes

Install this product according to the installation guide.

Faucet holes in undercounter fixture are oversized at 2-3/8" (6 cm) D. Drill faucet holes in counter according to fitting rough-in.



## Product Diagram