

DEVONSHIRE® RITE-TEMP®

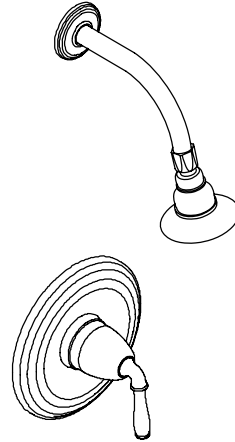
**PRESSURE-BALANCING
BATH/SHOWER VALVE TRIM**

**K-T396
ALSO K-T397**

ADA

Features

- Metal construction
- Brass valve bodies
- Rite-Temp® pressure-balancing diaphragm design valve
- High-temperature limit setting for added safety
- Pressure-balancing mechanism of one-piece diaphragm cartridge design for ease of maintenance
- Mixing valve cycles from "cold" to "hot"
- Lever handles
- Intended for use with Rite-Temp® or HiFlow Rite-Temp® valves



Codes/Standards Applicable

Specified model meets or exceeds the following:

- ASME A112.18.1
- CSA B125
- ASSE 1016
- IAPMO/UPC
- CSA International

Colors/Finishes

- CP: Polished Chrome
- PB: Vibrant® Polished Brass
- Other: Refer to Price Book for additional colors/finishes

Accessories

- CP: Polished Chrome
- Other: Refer to Price Book for additional colors/finishes
- NA: None applicable

Specified Model

Separate Trim and Rite-Temp® Valve: For complete valve, both valve trim and Rite-Temp® valve must be specified.				
Model	Description	Colors/Finishes		
K-T396-4	Shower and valve trim, without spout	<input type="checkbox"/> CP	<input type="checkbox"/> PB	<input type="checkbox"/> Other _____
K-T397-4	Valve trim only, without spout	<input type="checkbox"/> CP	<input type="checkbox"/> PB	<input type="checkbox"/> Other _____
Required Accessories				
K-304-K	Rite-Temp® valve without stops, NPT connections OR	<input type="checkbox"/> NA		
K-304-KS	Rite-Temp® valve with stops, NPT connections OR	<input type="checkbox"/> NA		

Product Specification

Rite-Temp® pressure-balancing single-control bath and shower valve shall be of metal construction. Valve shall feature a brass valve body. The valve shall mix the water from the "off" position, though the "cold" to the "hot", and includes a high-temperature limit stop. The pressure-balancing mechanism shall be of one-piece diaphragm cartridge design for ease of maintenance. Shower only valve shall include showerhead with arm and flange, and faceplate with handle. Valve only trim shall include faceplate with handle. Separate trim and valve shall be Kohler Model K-T____-____-____ with K-304-____-NA Rite-Temp® valve **OR** K-306-KS-NA HiFlow Rite-Temp® valve.

DEVONSHIRE® RITE-TEMP®

Required Accessories continued

K-306-KS	HiFlow Rite-Temp® valve with integral stops, NPT connections OR	<input type="checkbox"/> NA
K-304-KP	Rite-Temp® valve with PVC connections	<input type="checkbox"/> NA
88526	HiFlow Rite-Temp® thin wall installation kit*	<input type="checkbox"/> CP <input type="checkbox"/> Other

* Required when using the K-306-KS valve in a fiberglass or acrylic installation.

Optional Accessories

K-373	5-1/4" (13.3 cm) diverter spout with 1/2" NPT connections	<input type="checkbox"/> CP	<input type="checkbox"/> Other
K-373-S	5-1/4" (13.3 cm) diverter spout with slip-fit connection	<input type="checkbox"/> CP	<input type="checkbox"/> Other
K-389	5-1/4" (13.3 cm) diverter spout with 1/2" NPT connections	<input type="checkbox"/> CP	<input type="checkbox"/> Other
K-389-S	5-1/4" (13.3 cm) diverter spout with slip-fit connection	<input type="checkbox"/> CP	<input type="checkbox"/> Other
1030932	Deep roughing-in kit for Rite-Temp® valve (lever handles)	<input type="checkbox"/> CP	<input type="checkbox"/> Other

Installation Notes



WARNING: Risk of damage to the K-306-KS valve assembly. When using the K-306-KS valve in a fiberglass or acrylic installation, use the thin wall installation kit (88526).

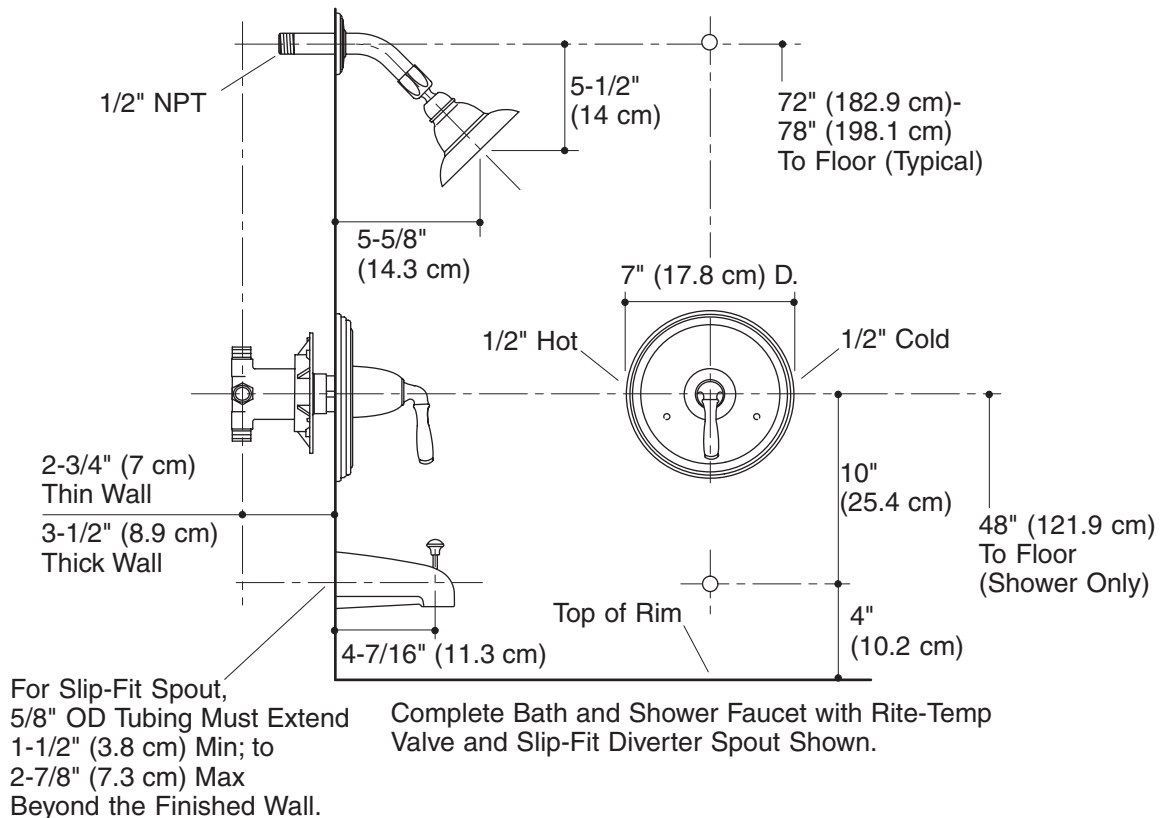
Install this product according to the installation guide.

Install the Rite-Temp® valve according to the valve installation guide.

Avoid cross-flow conditions. Do not install shut-off device on either valve outlet.

Cap shower outlet if deck-mounted spout, diverter, or handshower is connected to the spout outlet.

Install straight pipe or tube drop of 7" (17.8 cm) to 18" (45.7 cm) with single elbow between valve and wall-mount spout, if used.



Product Diagram