

### Features

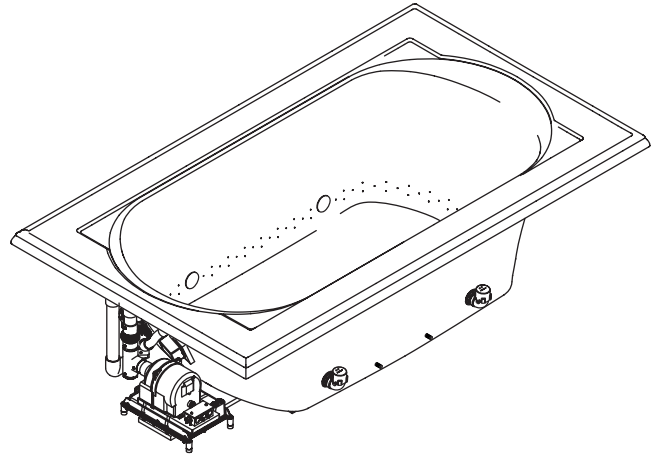
- Acrylic
- Blower motor with 300 W heater and electronic back-lit user control
- 122 BubbleMassage™ airjets
- With Zones of Control™ feature
- UL listed
- Available with or without chromatherapy
- 72" (182.9 cm) x 42" (106.7 cm) x 22" (55.9 cm)

### Codes/Standards Applicable

Specified model meets or exceeds the following:

- ANSI Z124.1.2
- UL 1795
- ASTM E162
- ASTM E662
- UPC

## 6' BUBBLEMASSAGE™ BATH K-1418-G ALSO K-1418-GCR



### Colors/Finishes

- 0: White
- Other: Refer to Price Book for additional colors/finishes

### Accessories

- CP: Polished Chrome
- PB: Vibrant® Polished Brass
- NA: None applicable

### Specified Model

Model	Description	Colors/Finishes	
K-1418-G	Bubblemassage bath – less chromatherapy	<input type="checkbox"/> 0	<input type="checkbox"/> Other_____
K-1418-GCR	Bubblemassage bath – with chromatherapy	<input type="checkbox"/> 0	<input type="checkbox"/> Other_____

#### Recommended Accessories

K-7161-AF	Adjustable pop-up drain	<input type="checkbox"/> CP	<input type="checkbox"/> PB	<input type="checkbox"/> Other_____
-----------	-------------------------	-----------------------------	-----------------------------	-------------------------------------

#### Optional Accessories

K-1491	Removable pillow			<input type="checkbox"/> 0	<input type="checkbox"/> Other_____	
K-1601	Removable footstop			<input type="checkbox"/> 0	<input type="checkbox"/> Other_____	
K-1705	Remote control					<input type="checkbox"/> NA
K-9498	3" (7.6 cm) whirlpool keypad trim	<input type="checkbox"/> CP	<input type="checkbox"/> PB		<input type="checkbox"/> Other_____	

### Product Specification

The acrylic Bubblemassage bath shall be 72" (182.9 cm) in length, 42" (106.7 cm) in width, and 22" (55.9 cm) in height. Bath shall have a blower motor with 300 W heater and an electronic back-lit user control. Bath shall feature 122 Bubblemassage airjets with Zones of Control feature. Bath will be available with or without chromatherapy. Bath will be UL listed. Bubblemassage bath shall be Kohler Model K-1418-\_\_\_\_-\_\_\_\_.

# MEMOIRS®

## Technical Information

Fixture*:	
Basin area:	
Bathing well	48" (121.9 cm) x 27" (68.6 cm)
Top area	60" (152.4 cm) x 30" (76.2 cm)
Weight	150 lbs (68 kg)
To overflow:	
Water depth	16" (40.6 cm)
Capacity	94 gal (355.8 L)
* Approximate measurements for comparison only.	

Drop-in cut-out	70-1/2" (179.1 cm) x 40-1/2" (102.9 cm)
-----------------	-----------------------------------------

Blower motor:	Heater	V	Hz	A
	300 W	220-240	50/60	3

## Required Electrical Service

Dedicated circuit required, protected with Class A Ground-Fault Circuit-Interrupter (GFCI) or Residual Current Device (RCD):	
Blower motor:	220-240 V, 15 A, 50/60 Hz

## Installation Notes

**NOTICE: If the blower motor and check valve are relocated, the following two procedures are required: 1.** Provide two access panels. Locate one access panel at the blower motor/control location and the other access panel at the control box. **2.** Relocate the blower motor and the check valve together. Do not relocate one without the other.

Install this product according to the installation guide.

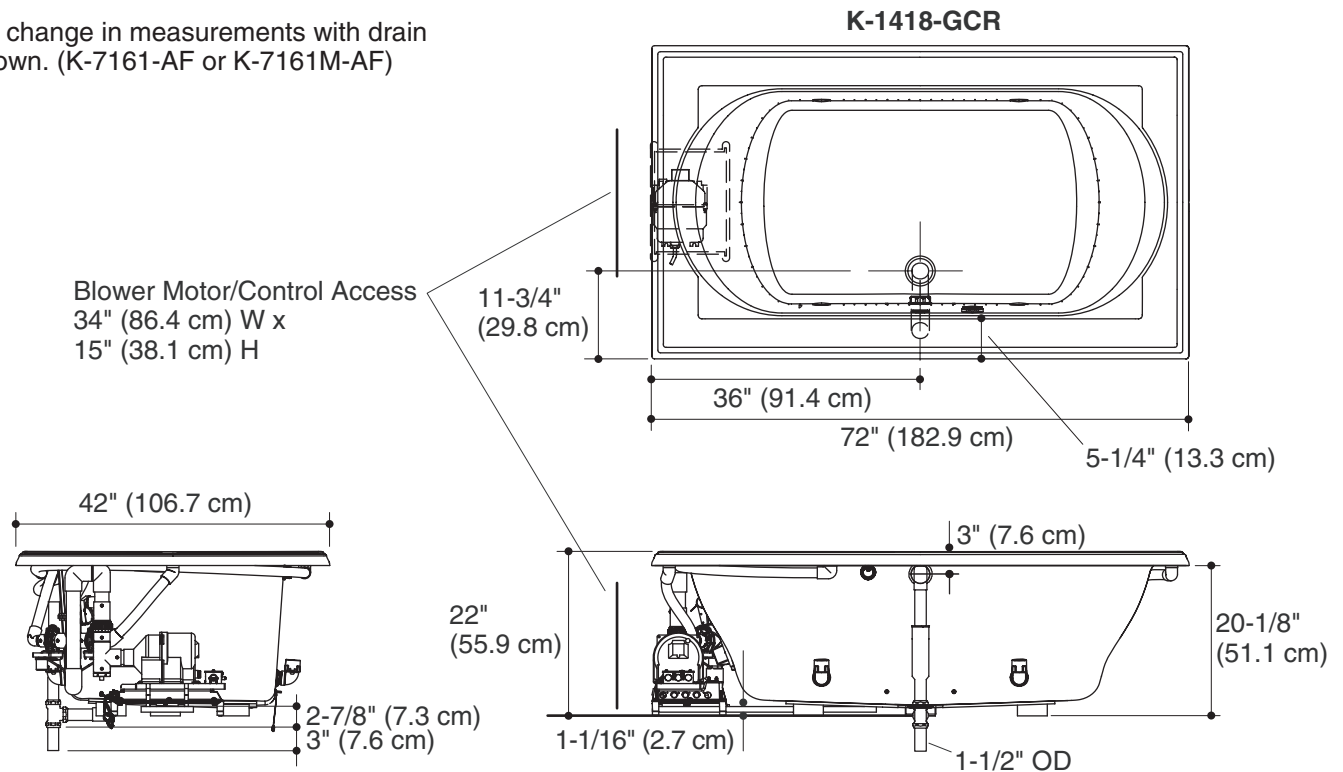
Floor support under the bath must provide for a minimum of 54 lbs/square foot (261 kg/square meter) loading.

A blower motor access panel is required.

If used, the optional apron must be installed before the finished floor and wall materials are installed.

If installing a rim-mount faucet, make sure there is no interference with drain overflow and circulating system before drilling any holes. Consult local and national codes for minimum air gap requirements if installing a spout on the faucet deck.

No change in measurements with drain shown. (K-7161-AF or K-7161M-AF)



## Product Diagram