

### Features

- Rectangular basin.
- 18-1/4" (464 mm) x 14-1/2" (368 mm)

### Material

- Vitreous china.

### Installation

- Under-mount

### Components

Additional included component/s: Basin clamp assembly.



ADA

### Codes/Standards











ASME A112.19.2/CSA B45.1  
ADA  
ICC/ANSI A117.1

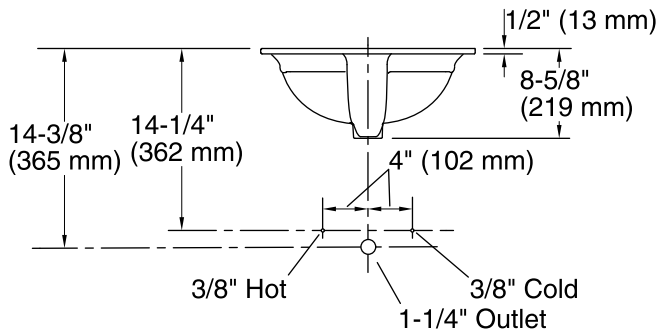
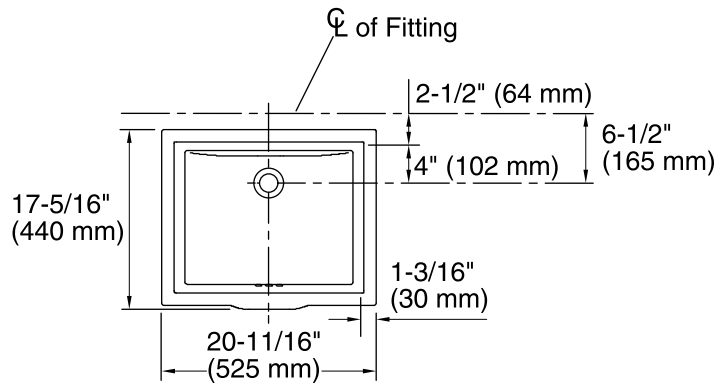
### KOHLER® One-Year Limited Warranty

See website for detailed warranty information.

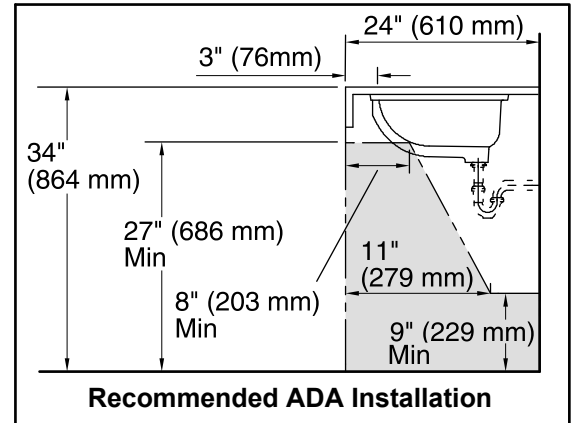
### Available Color/Finishes

*Color tiles intended for reference only.*

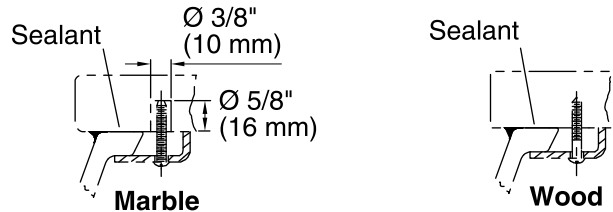
Color	Code	Description
	0	White
	96	Biscuit
	47	Almond
	NY	Dune
	95	Ice™ Grey
	G9	Sandbar
	33	Mexican Sand™
	K4	Cashmere
	58	Thunder™ Grey
	7	Black Black™



**Standard Installation**



**Recommended ADA Installation**



**Installation**

### Technical Information

All product dimensions are nominal.

Bowl configuration:	Single
Installation:	Under-mount
Bowl area	Length: 18-1/4" (464 mm) Width: 14-1/2" (368 mm) Water depth: 5-3/16" (132 mm)
Drain hole:	1-3/4" (44 mm)
Template:	Under-mount, 1031348-7, not required, not included

### Notes

Install this product according to the installation instructions.

**NOTICE:** Countertop manufacturer or cutter must use the current product template available at [www.kohler.com](http://www.kohler.com), or by calling 1-800-4KOHLER. Kohler Co. is not responsible for cutout errors when the incorrect cutout template is used.

ADA compliant when installed to the specific requirements of these regulations.