

Features

- Brass construction
- Wall-mount installation

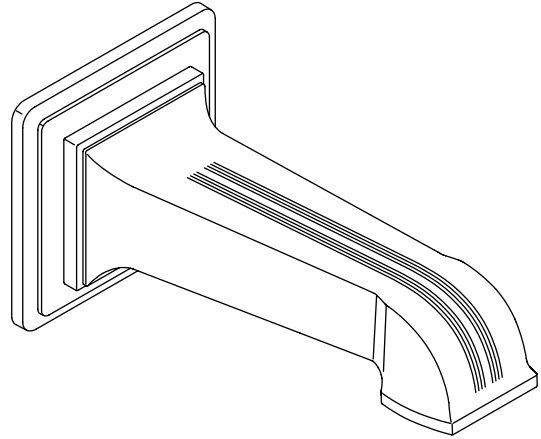
**WALL-MOUNT BATH SPOUT
K-T13139**

ADA

Codes/Standards Applicable

Specified model meets or exceeds the following:

- ASME A112.18.1
- CSA B125
- IAPMO/UPC
- ADA



Colors/Finishes

- CP: Polished Chrome
- Other: Refer to Price Book for additional colors/finishes

Specified Model

Model	Description	Color/Finish	
K-13139-A	Wall-mount non-diverter bath spout without grooves	<input type="checkbox"/> CP	<input type="checkbox"/> Other
K-13139-B	Wall-mount non-diverter bath spout with grooves	<input type="checkbox"/> CP	<input type="checkbox"/> Other

Product Specification

Product shall be a wall-mount non-diverter bath spout and shall be of brass construction. Product shall feature 6-7/8" (17.5 cm) non-diverter spout with IPS connection. Bath spout shall be available with and without grooves. Bath sprout shall be K-13139-_____-_____.

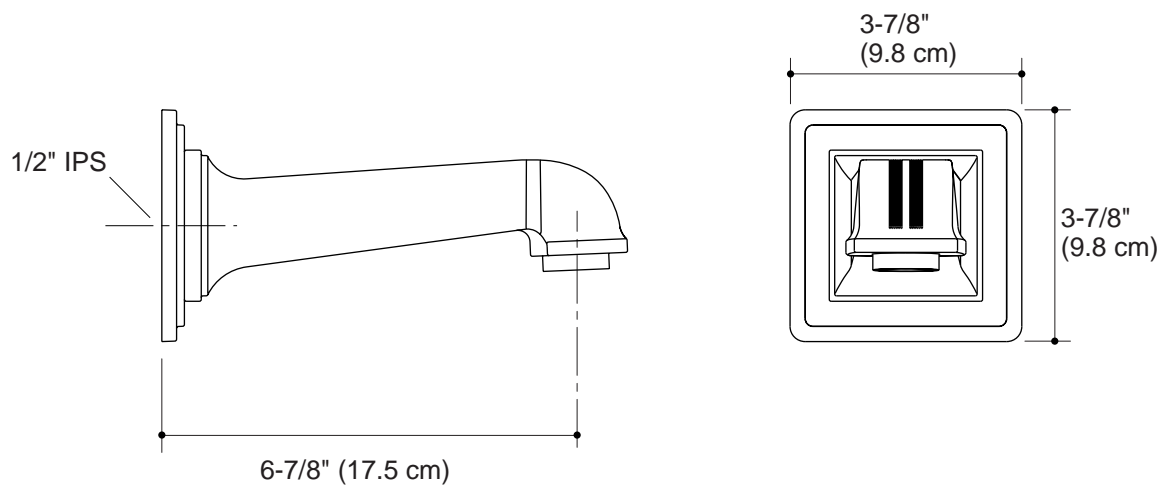
PINSTRIPE™

Technical Information

Mexico faucets and fittings have an M after the first sequence of numbers (such as K-12345 M).	
Applicable product:	
Wall-mount non-diverter bath spout without grooves	K-13139-A
Wall-mount non-diverter bath spout with grooves	K-13139-B

Installation Notes

Install this product according to the installation guide.



Product Diagram