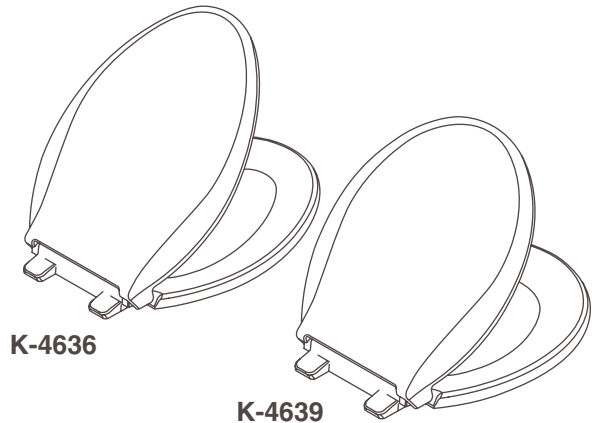


CACHET® WITH Q3 ADVANTAGE™

Features

- Solid polypropylene plastic
- Closed-front
- Contoured seat for user comfort
- Quiet-Close™ lid and ring prevents slamming
- Quick-Release™ hinge caps snap open and seat pulls forward for removal
- Quick-Attach™ stainless steel fastener allows for top-mount screwdriver only install
- Slip resistant bumpers hold seat firmly in place

TOILET SEAT
K-4636
ALSO K-4639



Codes/Standards Applicable

Specified model meets or exceeds the following:

- ANSI Z124.5

Colors/Finishes

- 0: White
- Other: Refer to Price Book for additional colors/finishes

Specified Model

Model	Description	Colors/Finishes	
K-4636	Toilet seat – elongated closed-front	<input type="checkbox"/> 0	<input type="checkbox"/> Other _____
K-4639	Toilet seat – round closed-front	<input type="checkbox"/> 0	<input type="checkbox"/> Other _____

Product Specification

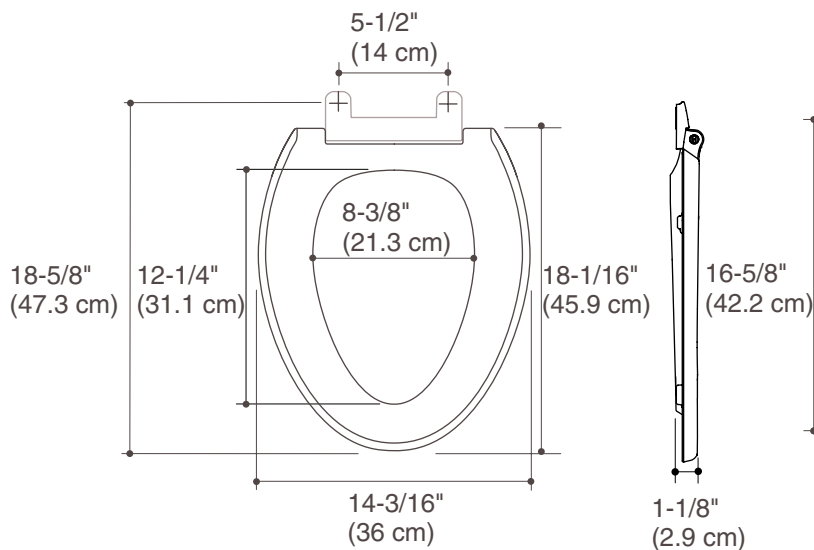
The toilet seat shall be made of solid polypropylene plastic. Product shall be available with closed-front. Product shall have Quiet-Close™ lid and ring that prevent slamming, Quick-Release™ hinge caps snap open and seat pulls forward for removal. Product shall have Quick-Attach™ stainless steel fastener, which allows for top-mount screwdriver only install. Product shall have contoured seat for user comfort. Product shall have slip resistant bumpers that hold seat firmly in place. The toilet seat shall be Kohler Model K-____-____.

CACHET[®] WITH Q3 ADVANTAGE[™]

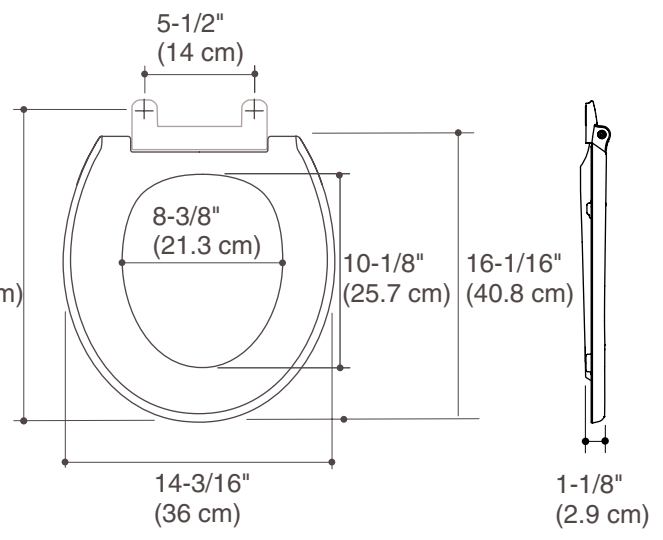
Installation Notes

Install this product according to the installation guide.

K-4636



K-4639



Product Diagram