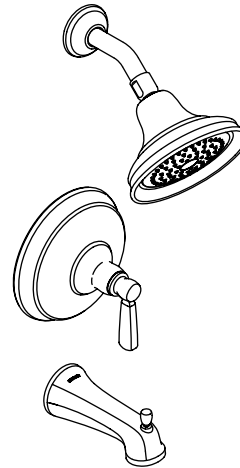


Features

- Metal construction
- Ceramic or metal lever handles
- 5-3/4" (14.6 cm) diverter bath spout with NPT or slip-fit connection
- Intended for use with Rite-Temp® or HiFlow Rite-Temp® valves
- Complements Bancroft® Suite

**BATH AND SHOWER FAUCET TRIM
K-T10581
ALSO K-T10582, K-T10583, K-T10584**



Codes/Standards Applicable

Specified model meets or exceeds the following:

- ASME A112.18.1/CSA B125.1

Colors/Finishes

- CP: Polished Chrome
- Other: Refer to Price Book for additional colors/finishes

Accessories

- CP: Polished Chrome
- Other: Refer to Price Book for additional colors/finishes
- NA: None applicable

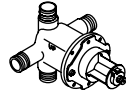

Specified Model

Model	Description	Colors/Finishes	
K-T10581-4	Bath and shower trim, metal lever handle, NPT spout (shown)	<input type="checkbox"/> CP	<input type="checkbox"/> Other _____
K-T10581-4P	Bath and shower trim, ceramic lever handle, NPT spout	<input type="checkbox"/> CP	<input type="checkbox"/> Other _____
K-T10582-4	Bath and shower trim, metal lever handle, slip-fit spout	<input type="checkbox"/> CP	<input type="checkbox"/> Other _____
K-T10582-4P	Bath and shower trim, ceramic lever handle, slip-fit spout	<input type="checkbox"/> CP	<input type="checkbox"/> Other _____
K-T10583-4	Shower only trim, metal lever handle	<input type="checkbox"/> CP	<input type="checkbox"/> Other _____
K-T10583-4P	Shower only trim, ceramic lever handle	<input type="checkbox"/> CP	<input type="checkbox"/> Other _____
K-T10584-4	Valve only trim, metal lever handle	<input type="checkbox"/> CP	<input type="checkbox"/> Other _____
K-T10584-4P	Valve only trim, ceramic lever handle	<input type="checkbox"/> CP	<input type="checkbox"/> Other _____
K-10588	NPT diverter bath spout	<input type="checkbox"/> CP	<input type="checkbox"/> Other _____
K-10589	Slip-fit diverter bath spout	<input type="checkbox"/> CP	<input type="checkbox"/> Other _____

Product Specification

The Rite-Temp® pressure-balancing single-control bath and shower faucet trim shall be made of brass construction. Bath and shower trim shall include showerhead with arm and flange, 5-3/4" (14.6 cm) diverter spout with NPT connection, and faceplate with handle. Shower only trim shall include showerhead with arm and flange, and faceplate with handle. Valve only trim shall include faceplate with handle. Trim shall complement the Bancroft suite. Faucet trim shall be K-T_____-_____-_____- and Rite-Temp® valve shall be K-304-_____-NA OR K-2971-KS-NA HiFlow Rite-Temp® valve.

BANCROFT®

Required Accessories			
K-304-*	Rite-Temp valve OR	<input type="checkbox"/> NA	
K-2971-KS	HiFlow Rite-Temp valve with stops		<input type="checkbox"/> NA
* For a complete listing of all the Rite-Temp valves, refer to the K-304-* Specification Sheet or Roughing-In sheet.			

Optional Accessories			
88526	HiFlow Rite-Temp® thin wall installation kit	<input type="checkbox"/> CP	<input type="checkbox"/> Other ____

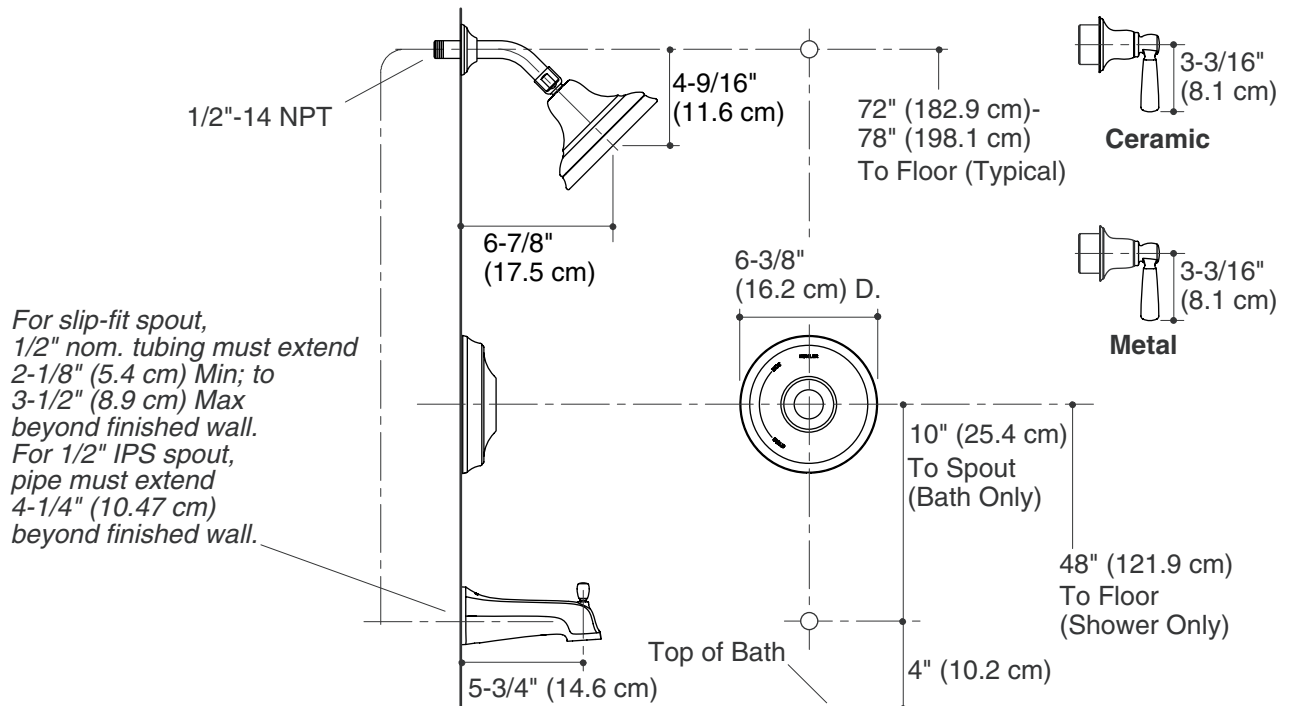
Installation Notes

Install this product according to the installation guide.

NOTICE: Risk of product damage. Long screws, for installing trim, can damage the K-2971-KS valve. Consult the trim installation guide to verify if the thin wall installation kit (88526) is needed.

Avoid cross-flow conditions. Do not install shut-off device on either valve outlet.

Install straight pipe or tube drop of 7" (17.8 cm) to 18" (45.7 cm) with single elbow between valve and wall-mount spout.



Product Diagram