

Features

- Two-function pull-out sprayhead with touch-control allows you to switch from aerated stream to spray.
- Ceramic disc valves exceed industry longevity standards, ensuring durable performance for life.
- ProMotion® technology's light, quiet braided hose and swiveling ball joint make the pull-down sprayhead easier and more comfortable to use.
- MasterClean™ sprayface features an easy-to-clean surface that withstands mineral buildup.
- High-arch gooseneck spout offers superior clearance for filling pots and cleaning.
- Single lever handle is simple to use and makes adjusting water temperature easy.
- Temperature memory allows faucet to be turned on and off at the temperature set during prior usage.
- Available with 10-1/8" (257 mm) swing spout reach.
- 1.8 gpm (gallons per minute) maximum flow rate at 60 psi.

Material

- Premium metal construction.
- KOHLER finishes resist corrosion and tarnishing.

Installation

- Single- or three-hole installation (escutcheon included).

Adapters, Rough-in and Extension Kits

1012715 Range: 2-1/2" (64 mm) - 4-5/8" (117 mm)

Optional Accessories

1177879 1.5 GPM [5.7 l/min] Low Flow Kit



ADA CSA B651

Codes/Standards

ASME A112.18.1/CSA B125.1

NSF 61

NSF 372

All applicable US Federal and State material regulations

DOE - Energy Policy Act 1992

ADA

ICC/ANSI A117.1






CSA B651

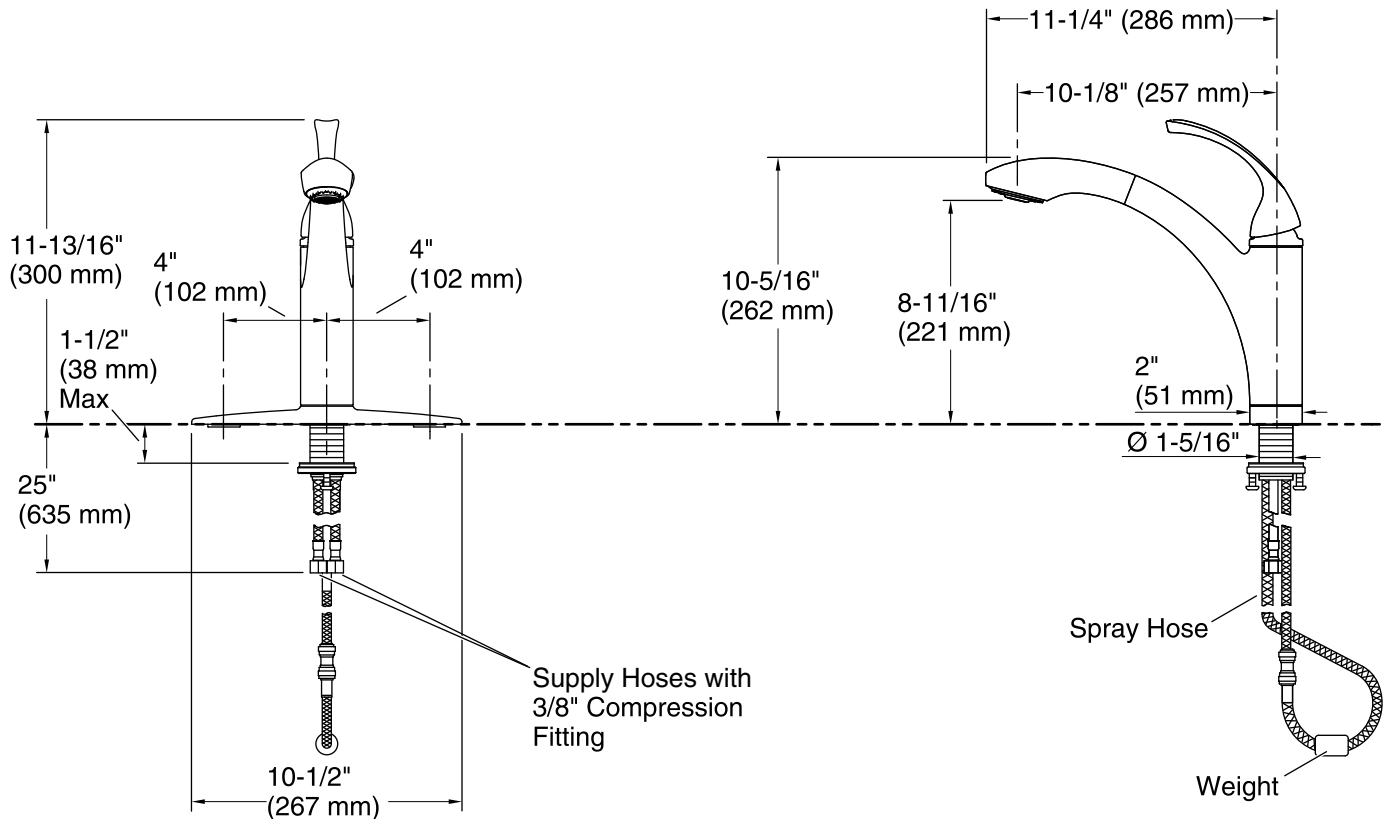
KOHLER® Faucet Lifetime Limited Warranty

See website for detailed warranty information.

Available Color/Finishes

Color tiles intended for reference only.

Color	Code	Description
	CP	Polished Chrome
	G	Brushed Chrome
	BN	Vibrant® Brushed Nickel
	VS	Vibrant® Stainless
	BV	Vibrant® Brushed Bronze



Technical Information

All product dimensions are nominal.

Spout:

Spout reach: 10-1/8" (257 mm)

Faucet:

Flow rate: 1.8 gal/min (6.8 l/min)

Pressure: 45 psi (3.1 bar)

Notes

Install this product according to the installation guide.

Lower flow kit or higher flow kit is available.

Faucet contains all necessary parts for both single-hole and three-hole installations.

The deep roughing-in kit (1012715) is designed for a mounting surface 1-3/8" (35 mm) to 3-3/8" (86 mm) thick. The faucet mounting hole should be between 1-7/16" (37 mm) to 1-1/2" (38 mm) in diameter.

ADA, CSA B651 compliant when installed to the specific requirements of these regulations.