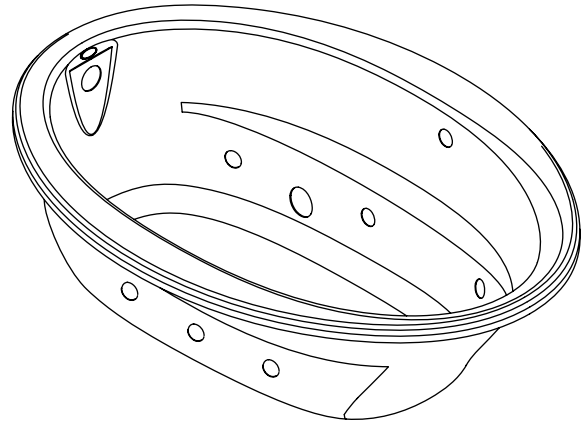


BATH WHIRLPOOL K-1164-H

Features

- Acrylic
- Drop-in
- 6 individually adjustable ProFlex® hydro-massage jets
- Single-speed pump with air switch
- In-line heater
- Molded lumbar supports and armrests
- Textured bottom surface
- Oval shape
- 72" (182.9 cm) x 42" (106.7 cm) x 21" (53.3 cm)



Codes/Standards Applicable

Specified model meets or exceeds the following:

- ANSI Z124.1.2
- ASME A112.19.7
- UL 1795
- ASTM E162
- ASTM E662

Colors/Finishes

- 0: White
- Other: Refer to Price Book for additional colors/finishes

Accessories

- 0: White
- CP: Polished Chrome
- NA: None applicable
- Other: Refer to Price Book for additional colors/finishes

Specified Model

Model	Description	Colors/Finishes	
K-1164-H	Bath whirlpool – drop-in	<input type="checkbox"/> 0	<input type="checkbox"/> Other _____

Recommended Accessories

K-11677	Swiftflo™ adjustable trip lever drain	<input type="checkbox"/> CP	<input type="checkbox"/> Other _____
---------	---------------------------------------	-----------------------------	--------------------------------------

Optional Accessories

K-577	Undermount kit				<input type="checkbox"/> NA
K-1491	Pillow	<input type="checkbox"/> 0		<input type="checkbox"/> Other _____	
K-1601	Footstop	<input type="checkbox"/> 0		<input type="checkbox"/> Other _____	
K-9696	Jet trim kit – metal finishes	<input type="checkbox"/> 0	<input type="checkbox"/> CP	<input type="checkbox"/> Other _____	

Product Specification

The drop-in acrylic bath whirlpool shall be 72" (182.9 cm) in length, 42" (106.7 cm) in width, and 21" (53.3 cm) in height. Product shall have 6 individually adjustable ProFlex hydro-massage jets, a single-speed pump with air switch, and an in-line heater. Product shall feature molded lumbar supports and armrests, a textured bottom surface, and be oval shaped. Bath whirlpool shall be Kohler Model K-1164-H-_____.

SUNWARD®

Technical Information

Fixture*:	
Bathing well:	
Basin area, bottom	55-1/4" (140.3 cm) x 23-1/2" (59.7 cm)
Basin area, top	64-1/2" (163.8 cm) x 32" (81.3 cm)
Weight	112 lbs (50.9 kg)
To overflow:	
Water depth	15" (38.1 cm)
Capacity	75 gal (284.1 L)
* Approximate measurements for comparison only.	

Included components:	
Cut-out template	1042557-7

Pump:	V	Hz	A	
1-speed	120	60	7.5	
Heater:	kW	V	Hz	A
	1.5	120	60	12.5

Minimum access panel pump/control:	
20" (50.8 cm) W x 15" (38.1 cm) H	required

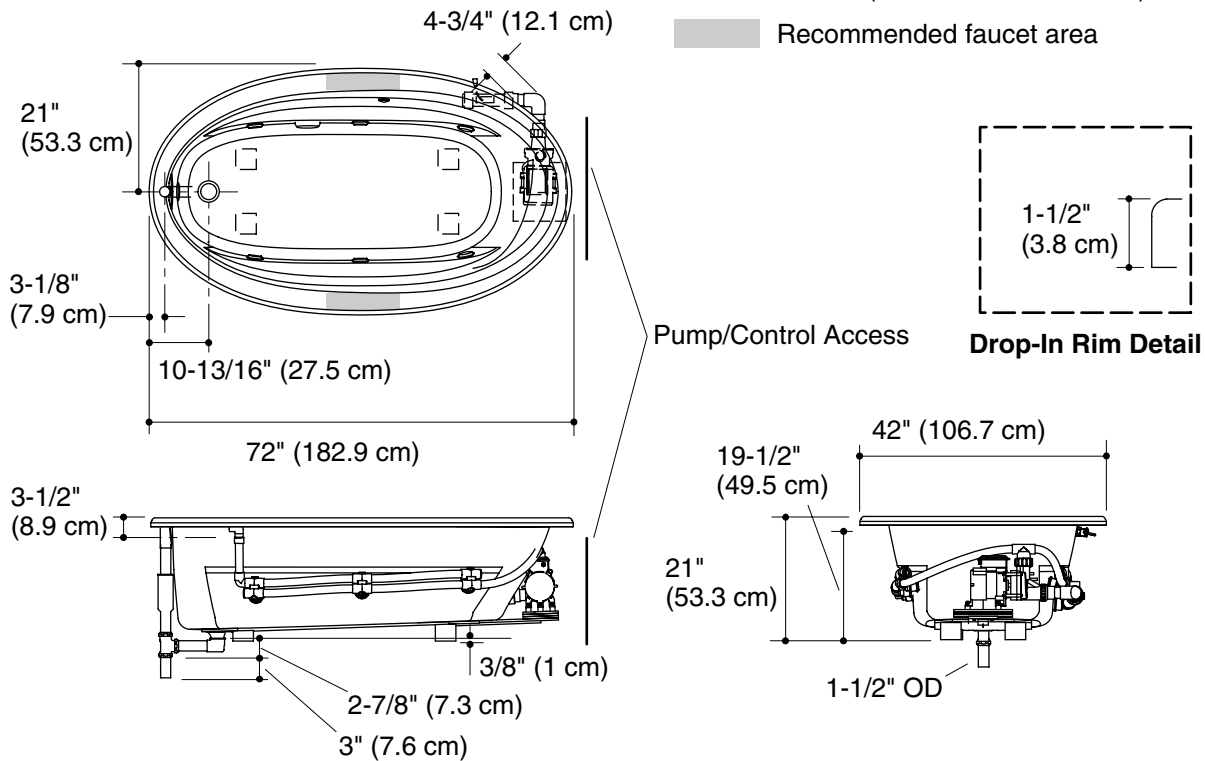
Required Electrical Service

Two dedicated circuits required, each protected with Class A Ground-Fault Circuit-Interrupter (GFCI):	
Pump/control	120 V, 15 A, 60 Hz
Heater	120 V, 15 A, 60 Hz
Locate the outlets behind the whirlpool and within 24" (61 cm) of the pump and heater.	

Installation Notes

Install this product according to the installation guide.

Floor support under whirlpool must provide for a minimum of 37 lbs/square foot (178 kg/square meter) loading.



No change in measurements if connected with drain illustrated. (K-11677 or K-11677M)

Recommended faucet area

Product Diagram