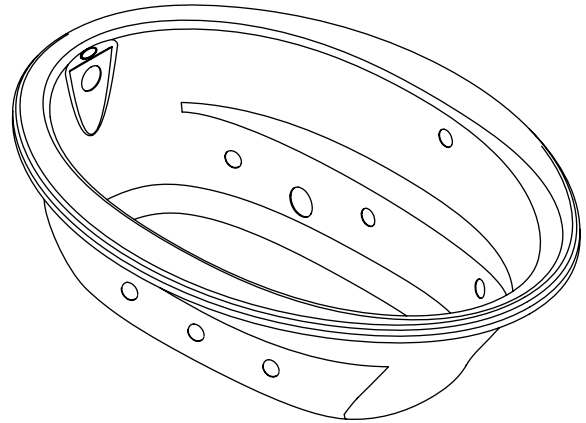


### BATH WHIRLPOOL K-1164-HB

#### Features

- Acrylic
- Drop-in rim style, ship-in-place custom pump
- 6 individually adjustable ProFlex® hydro-massage jets
- Single-speed pump with air switch
- In-line heater
- Molded lumbar supports and armrests
- Textured bottom surface
- Oval shape
- 72" (182.9 cm) x 42" (106.7 cm) x 21" (53.3 cm)



#### Codes/Standards Applicable

Specified model meets or exceeds the following:

- ANSI Z124.1.2
- ASME A112.19.7
- UL 1795
- ASTM E162
- ASTM E662

#### Colors/Finishes

- 0: White
- Other: Refer to Price Book for additional colors/finishes

#### Accessories

- CB: Polished Chrome/Polished Brass
- NA: None applicable
- Other: Refer to Price Book for additional colors/finishes

#### Specified Model

Model	Description	Colors/Finishes	
K-1164-HB	Bath whirlpool	<input type="checkbox"/> 0	<input type="checkbox"/> Other _____
<b>Recommended Accessories</b>			
K-11677	Swiftflo™ adjustable trip lever drain	<input type="checkbox"/> CP	<input type="checkbox"/> Other _____
<b>Optional Accessories</b>			
K-577	Undermount kit		<input type="checkbox"/> NA
K-1491	Pillow	<input type="checkbox"/> 0	<input type="checkbox"/> Other _____
K-9696	Jet trim kit – metal finishes	<input type="checkbox"/> 0	<input type="checkbox"/> CP <input type="checkbox"/> Other _____

#### Product Specification

The acrylic bath whirlpool shall be 72" (182.9 cm) in length, 42" (106.7 cm) in width, and 21" (53.3 cm) in height. Product shall have 6 individually adjustable ProFlex hydro-massage jets, a single-speed pump with air switch, an in-line heater, molded lumbar supports and armrests, and a textured bottom surface. Product shall be for drop-in rim style with ship-in-place custom pump. Product shall be oval shaped. Bath whirlpool shall be Kohler Model K-1164-HB-\_\_\_\_\_.

# SUNWARD®

## Technical Information

Fixture*:	
Bathing well:	
Basin area, bottom	55-1/4" (140.3 cm) x 23-1/2" (59.7 cm)
Basin area, top	64-1/2" (163.8 cm) x 32" (81.3 cm)
Weight	112 lbs (50.9 kg)
To overflow:	
Water depth	15" (38.1 cm)
Capacity	75 gal (284.1 L)
* Approximate measurements for comparison only.	

Included components:	
Cut-out template	1042557-7

Pump:	V	Hz	A	
1-speed	120	60	7.5	
Heater:	kW	V	Hz	A
	1.5	120	60	12.5

Minimum access panel pump/control:	
20" (50.8 cm) W x 15" (38.1 cm) H	required

## Required Electrical Service

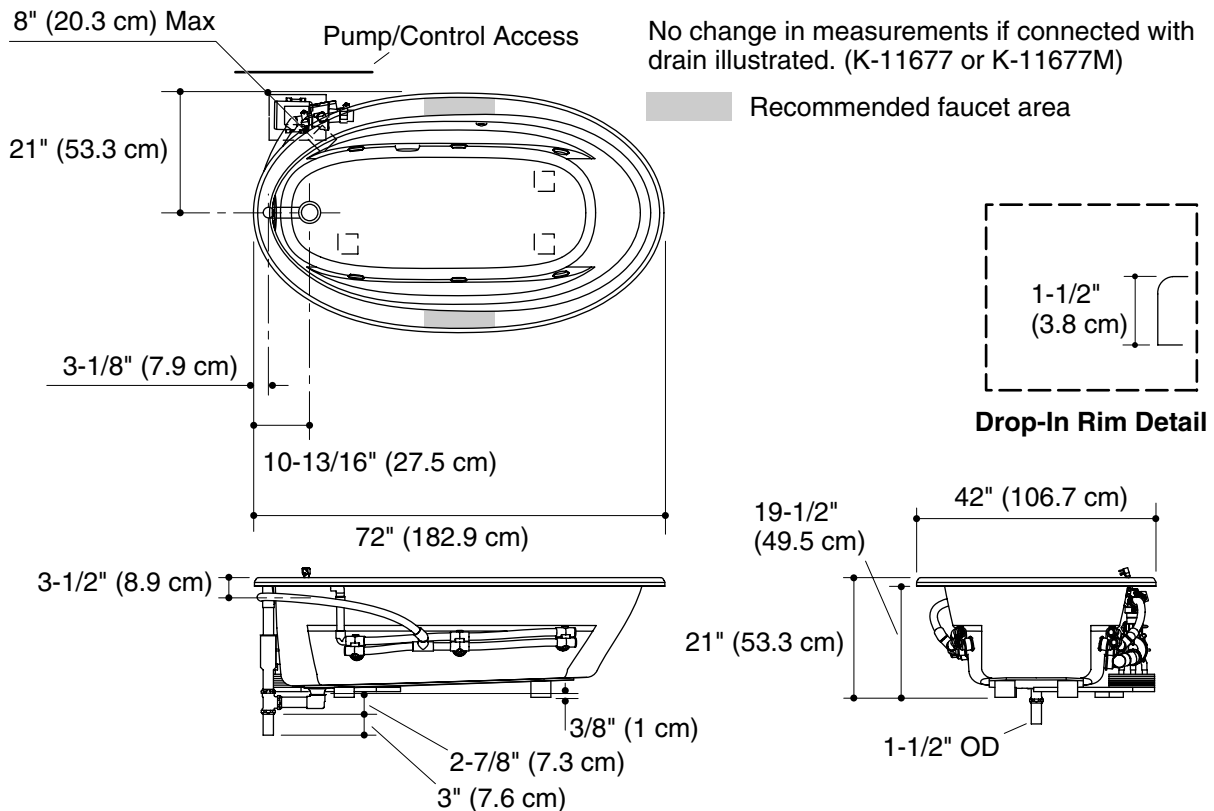
Two dedicated circuits are required, each protected with a Class A Ground-Fault Circuit-Interrupter (GFCI):	
Pump/control	120 V, 15 A, 60 Hz
Heater	120 V, 15 A, 60 Hz
Locate the outlets behind the whirlpool and within 24" (61 cm) of the pump and heater.	

## Installation Notes

Install this product according to the installation guide.

Floor support under whirlpool must provide for a minimum of 36 lbs/square foot (177 kg/square meter) loading.

The suction line extends 1" (2.5 cm) beyond the edge of the rim. The pump base extends 1-1/8" (2.9 cm) beyond the edge of the rim. Modify the framing as needed.



## Product Diagram