

Features

- Brass construction
- Available with blade handle
- Front seal plate assembly
- Handle assembly
- Complements Stillness® Suite

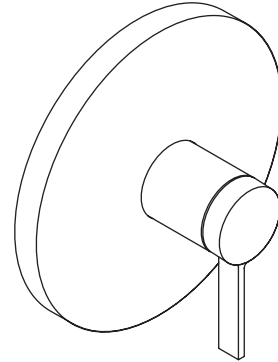
**THERMOSTATIC FAUCET TRIM
K-T10940,
ALSO K-T10941, K-T10943, K-T10944**

ADA

Codes/Standards Applicable

Specified model meets or exceeds the following:

- ADA
- ASME A112.18.1/CSA B125.1
- ICC/ANSI A117.1



Colors/Finishes

- CP: Polished Chrome
- Other: Refer to Price Book for additional colors/finishes
- NA: None applicable

Specified Model

For complete faucet, both faucet trim and valving must be specified.			
Model	Description	Colors/Finishes	
K-T10940-4	Thermostatic valve trim	<input type="checkbox"/> CP	<input type="checkbox"/> Other ____
K-T10941-4	Stacked thermostatic valve trim	<input type="checkbox"/> CP	<input type="checkbox"/> Other ____
K-T10943-4	Volume control trim	<input type="checkbox"/> CP	<input type="checkbox"/> Other ____
K-T10944-4	Transfer valve trim	<input type="checkbox"/> CP	<input type="checkbox"/> Other ____

Required Accessory		
K-669-KS	3/4" Thermostatic valve	<input type="checkbox"/> NA
K-670-KS	3/4" Stacked thermostatic valve	<input type="checkbox"/> NA
K-671-K	3/4" Volume control	<input type="checkbox"/> NA
K-679-KS	1/2" Thermostatic valve	<input type="checkbox"/> NA
K-680-KS	1/2" Stacked thermostatic valve	<input type="checkbox"/> NA
K-681-K	1/2" Volume control	<input type="checkbox"/> NA
K-728-K	3/4" Transfer valve	<input type="checkbox"/> NA

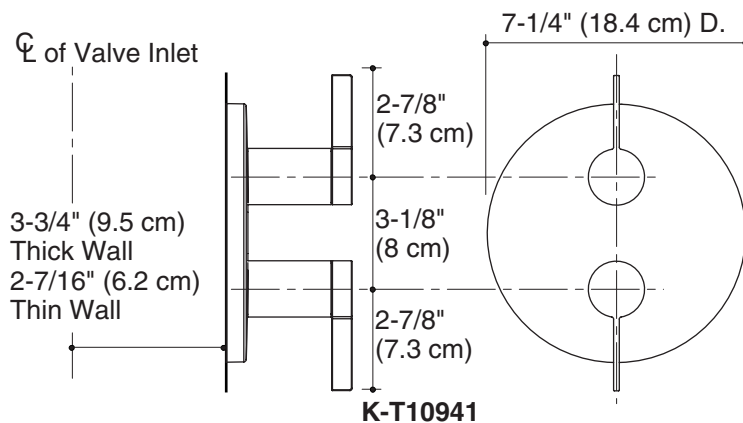
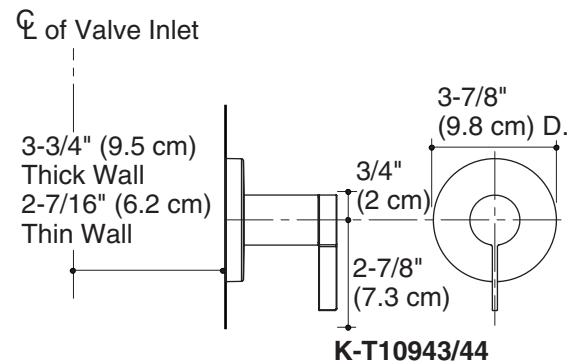
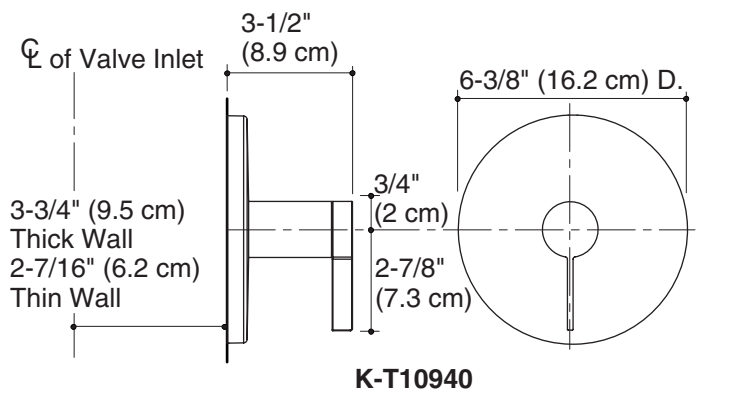
Product Specification

Thermostatic valve faucet trim shall be of brass construction. Trim shall include front seal plate assembly and handle assembly. Trim shall be available with blade handle. Thermostatic valve faucet shall complement the Stillness® Suite. Faucet trim shall be Kohler Model K-T____-____-____ and thermostatic valving shall be K-____-____-NA.

STILLNESS®

Installation Notes

Install this product according to the installation guide.



Product Diagram