

**Features**

- Brass construction
- Available with lever handle
- Front seal plate assembly
- Handle assembly
- Complements Fairfax® Suite

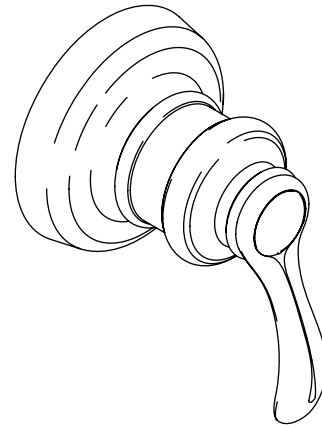
**TRANSFER VALVE TRIM  
K-T12189**

- |            |                 |            |
|------------|-----------------|------------|
| <b>ADA</b> | <b>CSA B651</b> | <b>OBC</b> |
|------------|-----------------|------------|

**Codes/Standards Applicable**

Specified model meets or exceeds the following:

- ADA
- ICC/ANSI A117.1
- CSA B651
- OBC
- ASME A112.18.1/CSA B125.1



**Colors/Finishes**

- CP: Polished Chrome
- PB: Vibrant® Polished Brass
- Other: Refer to Price Book for additional colors/finishes
- NA: None applicable

**Specified Model**

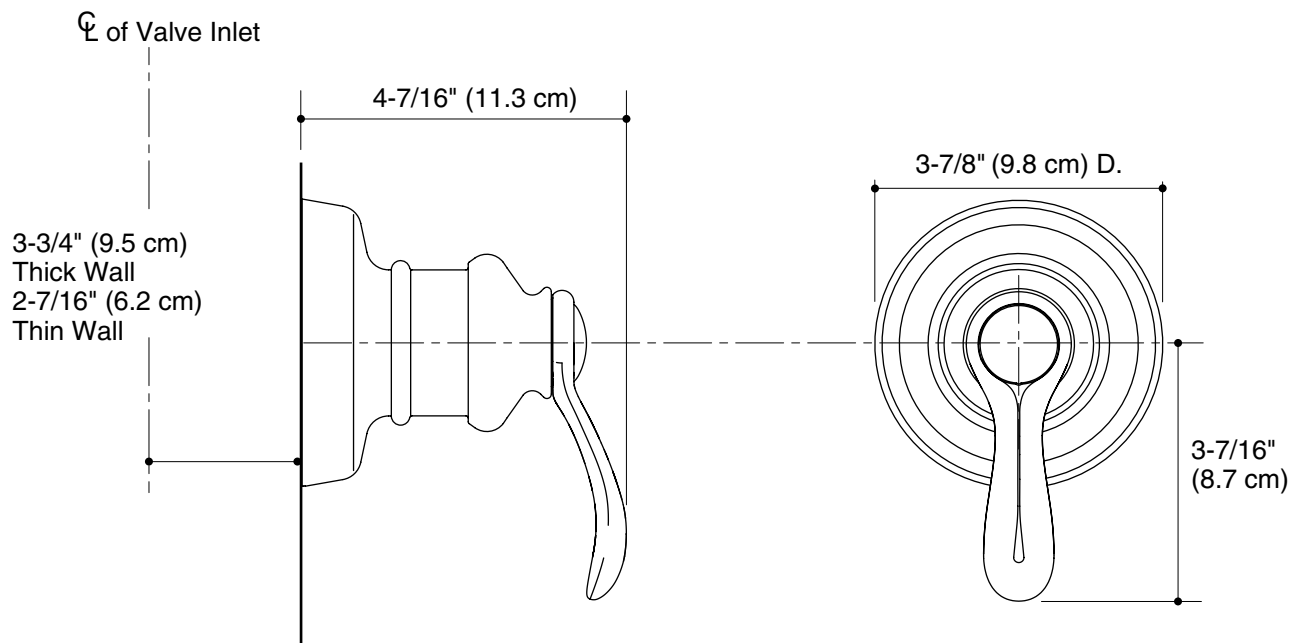
For complete faucet, both faucet trim and valving must be specified.			
Model	Description	Colors/Finishes	
K-T12189	Transfer valve trim	<input type="checkbox"/> CP	<input type="checkbox"/> PB <input type="checkbox"/> Other ____
Required Accessories			
K-728-K	3/4" Transfer valve	<input type="checkbox"/> NA	

**Product Specification**

Thermostatic faucet trim shall be of brass construction. Trim shall include front seal plate assembly and handle assembly. Product shall be available with lever handle. Trim shall complement the Fairfax® Suite. Transfer valve trim shall be Kohler Model K-T12189-\_\_\_\_ and transfer valve shall be K-672-K-NA.

## Installation Notes

Install this product according to the installation guide.



K-T12189

## Product Diagram