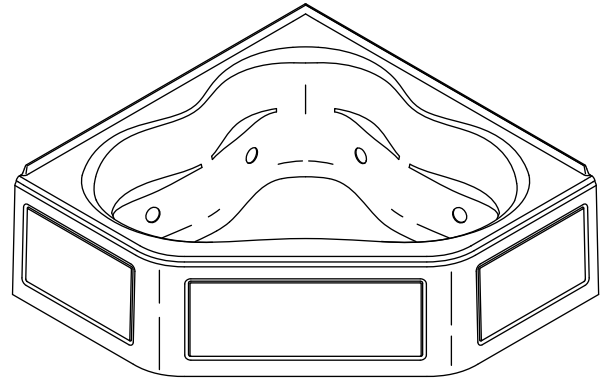


### Features

- Acrylic
- Pump with air switch and grounding-type plug-in cord
- 6 individually adjustable ProFlex® hydro-massage jets
- Integral apron with removable access panel
- Textured bottom surface
- Optional K-9696 whirlpool trim kit in various finishes
- Molded lumbar supports and armrests
- Integral tile flange on both sides for corner installation.
- 60" (1524 mm) x 60" (1524 mm) x 21" (533 mm)

### BATH WHIRLPOOL WITH INTEGRAL APRON AND TILE FLANGE K-1160-LA



### Codes/Standards Applicable

Specified model meets or exceeds the following:

- ASME A112.19.7
- UL 1795
- CSA B45.5/IAPMO Z124

### Colors/Finishes

- 0: White
- Other: Refer to Price Book for additional colors/finishes

### Accessories

- 0: White
- CP: Polished Chrome
- PB: Polished Brass
- Other: Refer to Price Book for additional colors/finishes

### Specified Model

Model	Description	Colors/Finishes			
K-1160-LA	Bath whirlpool with integral apron and tile flange	<input type="checkbox"/> 0	<input type="checkbox"/> Other_____		
<b>Recommended Accessories</b>					
K-11677	Adjustable trip lever bath drain	<input type="checkbox"/> CP	<input type="checkbox"/> PB		
<b>Optional Accessories</b>					
K-1491	Pillow	<input type="checkbox"/> 0			<input type="checkbox"/> Other_____
K-1601	Footstop	<input type="checkbox"/> 0			<input type="checkbox"/> Other_____
K-9696	Jet trim kit (metal finishes)		<input type="checkbox"/> CP	<input type="checkbox"/> PB	<input type="checkbox"/> Other_____

### Product Specification

The acrylic bath whirlpool shall be 60" (1524 mm) in length, 60" (1524 mm) in width, and 21" (533 mm) in height. Product shall have 6 individually adjustable ProFlex hydro-massage jets and a pump with air switch and grounding-type plug-in cord. Product shall have integral apron with removable panel for front access and integral tile flange on both sides for corner installation. Product shall have a textured bottom surface and molded lumbar supports and armrests. Product shall have optional K-9696 whirlpool trim kit in various finishes. Bath whirlpool shall be Kohler Model K-1160-LA-\_\_\_\_\_.

# TERCET®

## Technical Information

Fixture*:	
Basin area:	
Bathing well	52" (1321 mm) x 38-3/4" (984 mm)
Top area	61" (1549 mm) x 46-1/4" (1175 mm)
Weight	151 lbs (68.5 kg)
To overflow:	
Water depth	15" (381 mm)
Capacity	96 gal (363.6 L)
* Approximate measurements for comparison only.	

Pump:		V	Hz	A
1-speed		120	60	7.5
Heater:	kW	V	Hz	A
	1.5	120	60	12.5

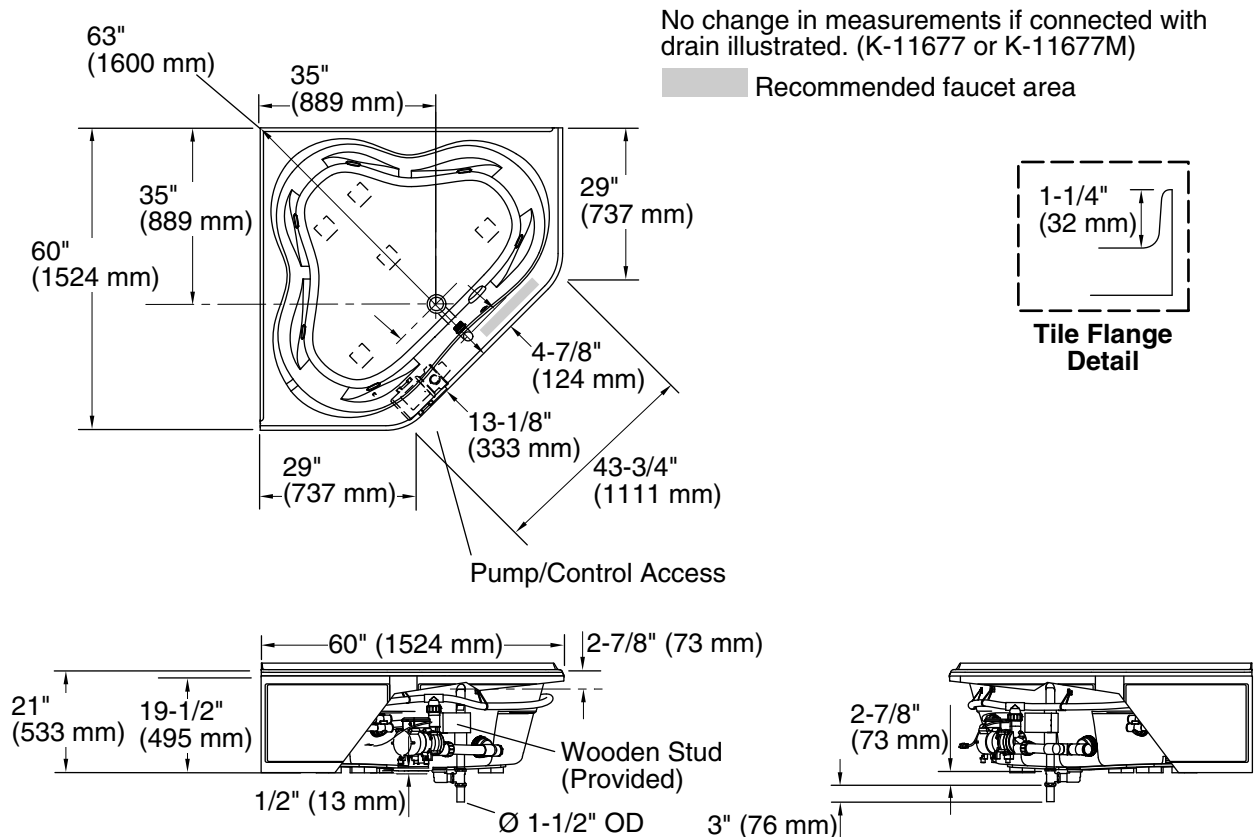
## Required Electrical Service

Dedicated circuit required, protected with Class A Ground-Fault Circuit-Interrupter (GFCI):	
Pump/control	120 V, 15 A, 60 Hz
Heater	120 V, 15 A, 60 Hz
Locate the outlet onto the wooden stud provided as illustrated below.	

## Installation Notes

Install this product according to the installation guide.

Floor support under whirlpool must provide for a minimum of 39 lbs/square foot (192 kg/square meter) loading.



## Product Diagram