

### UNDERCOUNTER LAVATORY K-2319

ADA

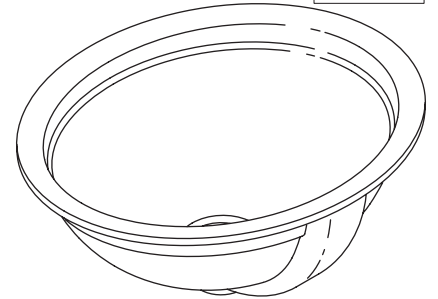
#### Features

- Vitreous china
- Undercounter
- With overflow
- Includes 52047 clamp assembly
- 17" (43.2 cm) x 14" (35.6 cm) x 8-1/2" (21.6 cm)

#### Codes/Standards Applicable

Specified model meets or exceeds the following:

- ADA
- ASME A112.19.2/CSA B45.1
- ICC/ANSI A117.1



#### Colors/Finishes

- 0: White
- Other: Refer to Price Book for additional colors/finishes

#### Accessories

- CP: Polished Chrome
- Other: Refer to Price Book for additional colors/finishes

#### Specified Model

Model	Description	Colors/Finishes	
K-2319	Undercounter lavatory	<input type="checkbox"/> 0	<input type="checkbox"/> Other_____
Recommended Accessories			
K-8998	P-Trap	<input type="checkbox"/> CP	<input type="checkbox"/> Other_____

#### Product Specification

The undercounter lavatory shall be made of vitreous china. Lavatory shall have overflow. Lavatory shall include 52047 clamp assembly. Lavatory shall be 17" (42.3 cm) in length x 14" (35.6 cm) in width x 8-1/2" (21.6 cm) in height. Lavatory shall be Kohler Model K-2319-\_\_\_\_\_.

# BANCROFT®

## Technical Information

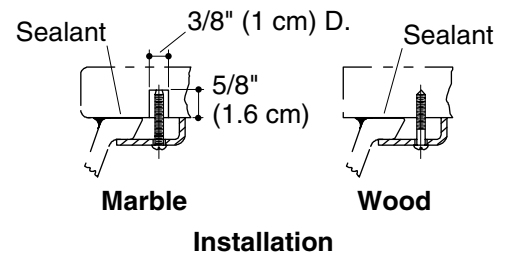
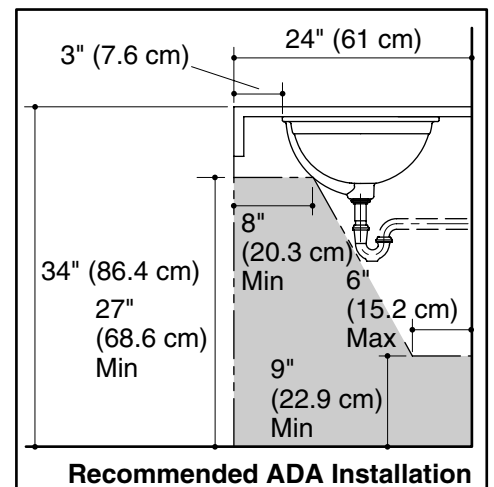
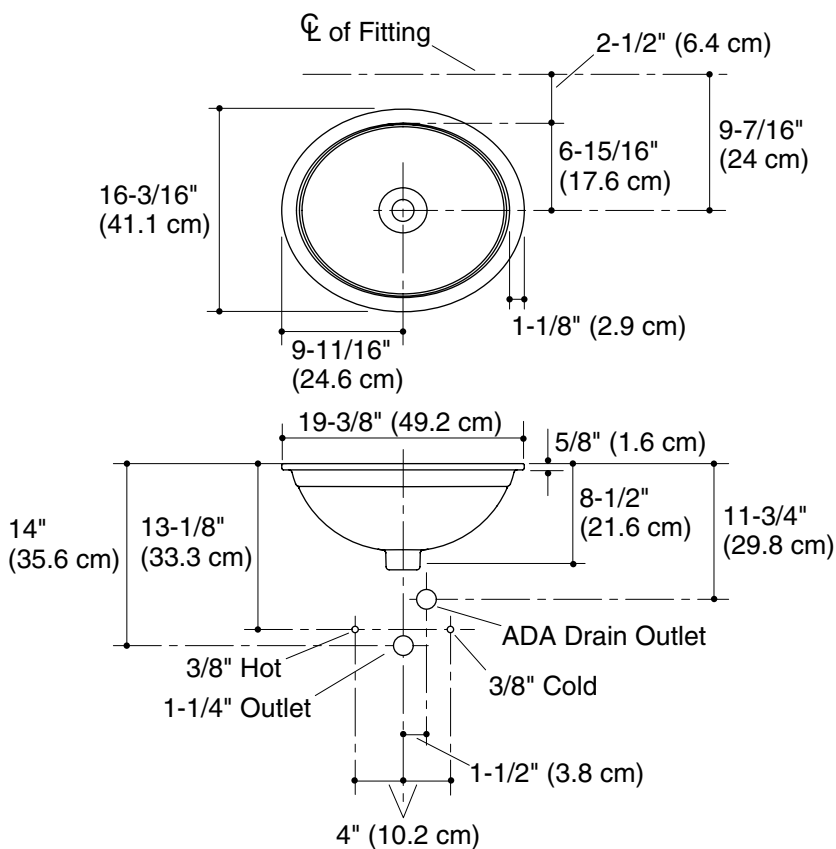
Fixture*:	
Basin area	17-1/4" (43.8 cm) x 14-1/16" (35.7 cm)
Water depth	5" (12.7 cm)
Drain hole	1-3/4" (4.4 cm) D.
* Approximate measurements for comparison only.	
Included components:	
Basin clamp assembly	52047
Cut-out template	1002975-7

## Installation Notes

Install this product according to the installation guide.

Supplied basin clamp assembly require 1" (2.5 cm) minimum countertop thickness. Installer must supply anchors for thinner countertops.

**NOTICE:** Countertop manufacturer or cutter must use the cut-out template provided with the product, or a current one provided by Kohler (call 1-800-4-KOHLER). Kohler is not responsible for cut-out errors when incorrect cut-out template is used.



## Product Diagram