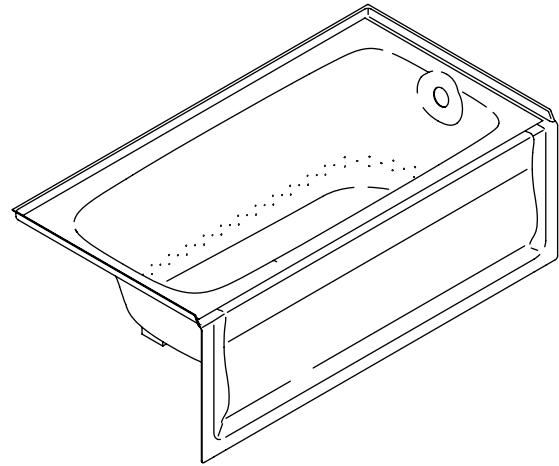


### Features

- Acrylic
- Blower motor with 300 W heater, and electronic user control
- Left or right drain
- Blower motor is supplied with a grounding-type plug-in cord
- 120 BubbleMassage™ airjets
- Integral tile flange
- Integral apron with removable access panel
- For alcove installation
- Molded lumbar supports
- 60" (152.4 cm) x 32" (81.3 cm) x 20" (50.8 cm)

### 5' BUBBLEMASSAGE™ BATH K-1151-GLA ALSO K-1151-GRA



### Codes/Standards Applicable

Specified model meets or exceeds the following:

- ANSI Z124.1.2
- IAPMO IGC 171
- UL 1795

### Colors/Finishes

- 0: White
- Other: Refer to Price Book for additional colors/finishes

### Accessories

- CP: Polished Chrome
- PB: Vibrant® Polished Brass
- NA: None applicable
- Other: Refer to Price Book for additional colors/finishes

### Specified Model

Model	Description	Colors/Finishes	
K-1151-GLA	5' Bubblemassage bath – integral apron, left drain	<input type="checkbox"/> 0	<input type="checkbox"/> Other_____
K-1151-GRA	5' Bubblemassage bath – integral apron, right drain (shown)	<input type="checkbox"/> 0	<input type="checkbox"/> Other_____

#### Recommended Accessories

K-1446	Remote blower installation kit	NA			
K-11677	Adjustable trip lever drain		<input type="checkbox"/> CP	<input type="checkbox"/> PB	<input type="checkbox"/> Other_____

#### Optional Accessories

K-9497	2-1/2" (6.4 cm) metal finish keypad trim	<input type="checkbox"/> CP	<input type="checkbox"/> PB	<input type="checkbox"/> Other_____
--------	--	-----------------------------	-----------------------------	-------------------------------------

### Product Specification

The acrylic Bubblemassage bath shall be 60" (152.4 cm) in length, 32" (81.3 cm) in width, and 20" (50.8 cm) in height. Bath shall have an integral apron with removable access panel and integral tile flange. Bath shall be for alcove installations. Bath shall have molded lumbar supports. Bath shall be available with left or right drain. Bath shall have a blower motor with 300 W heater, and an electronic user control. Blower motor shall have a grounding-type plug-in cord. Bath shall have 120 Bubblemassage airjets. Bubblemassage bath shall be Kohler Model K-1151-\_\_\_\_-\_\_\_\_.

# BANCROFT®

## Technical Information

Fixture*:				
Bathing well:				
Basin area, bottom	45" (114.3 cm) x 22" (55.9 cm)			
Basin area, top	54" (137.2 cm) x 25" (63.5 cm)			
Weight	100 lbs (45.4 kg)			
To overflow:				
Water depth	15" (38.1 cm)			
Capacity	60 gal (227.1 L)			
* Approximate measurements for comparison only.				
Blower motor:	Heater	V	Hz	A
	300 W	120	60	5

## Required Electrical Service

Dedicated circuit required, protected with Class A Ground-Fault Circuit-Interrupter (GFCI):	
Blower motor	120 V, 15 A, 60 Hz
Blower motor is supplied with a 24" (61 cm) grounding-type plug-in cord.	

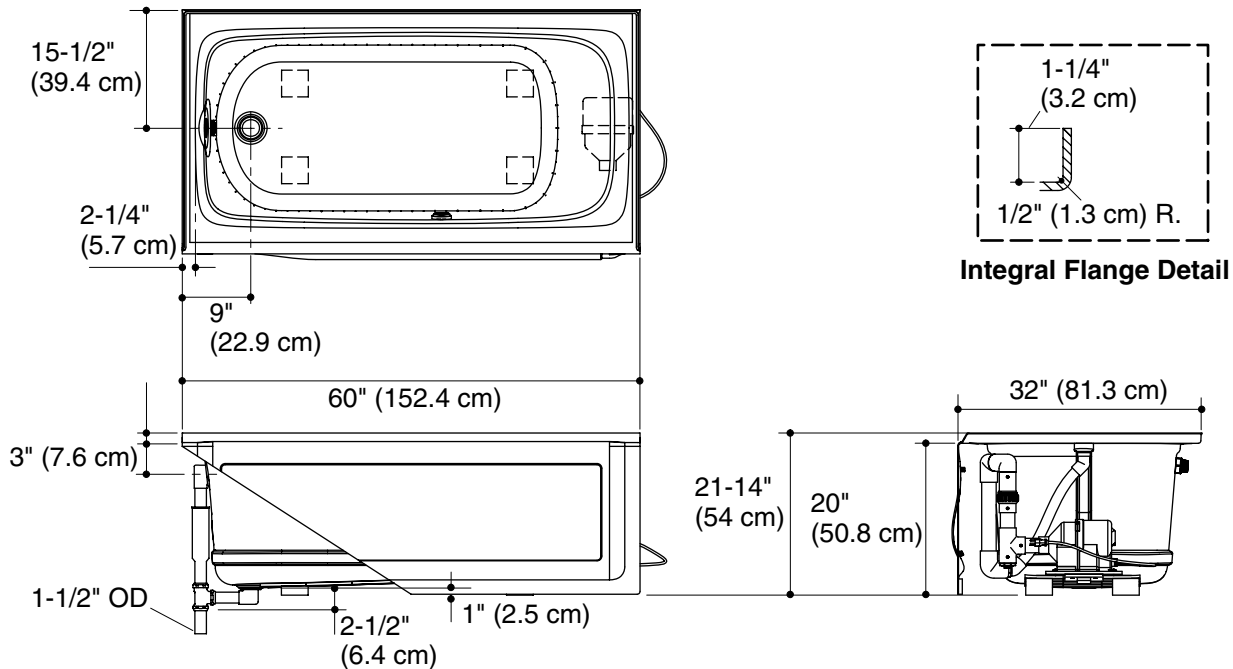
## Installation Notes

**NOTICE: If the blower motor and check valve are relocated, the following two procedures are required: 1.** Provide two access panels. Locate one access panel at the blower motor/control location and the other access panel at the control box. **2.** Relocate the blower motor and the check valve together. Do not relocate one without the other.

Install this product according to the installation guide.

Floor support under the bath must provide for a minimum of 49 lbs/square foot (238 kg/square meter) loading.

No change in measurements if connected with drain illustrated. (K-11677)



## Product Diagram