

### BATH WHIRLPOOL K-1158-H2

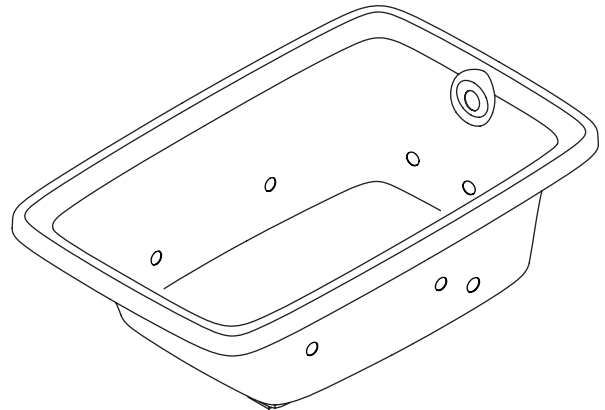
#### Features

- Acrylic
- Variable-speed pump with 1.5 kW heater, back-lit user keypad, and remote control
- 8 Flexjets™
- Less all trim
- 66" (167.6 cm) x 42" (106.7 cm) x 22" (55.9 cm)

#### Codes/Standards Applicable

Specified model meets or exceeds the following:

- ANSI Z124.1.2
- ASME A112.19.7M
- UL 1795



#### Colors/Finishes

- 0: White
- Other: Refer to Price Book for additional colors/finishes

#### Accessories

- CP: Polished Chrome
- Other: Refer to Price Book for additional colors/finishes

#### Specified Model

Model	Description	Colors/Finishes			
K-1158-H2	Bath whirlpool	<input type="checkbox"/> 0	<input type="checkbox"/> Other _____		
<b>Required Accessories</b>					
K-9698	Jet trim kit	<input type="checkbox"/> CP	<input type="checkbox"/> Other _____		
<b>Recommended Accessories</b>					
K-7161-AF	Adjustable pop-up drain	<input type="checkbox"/> CP	<input type="checkbox"/> Other _____		
<b>Optional Accessories</b>					
K-1491	Pillow	<input type="checkbox"/> 0	<input type="checkbox"/> 0	<input type="checkbox"/> Other _____	
K-1601	Footstop	<input type="checkbox"/> 0	<input type="checkbox"/> 0	<input type="checkbox"/> Other _____	
K-1703	Remote control	<input type="checkbox"/> NA			
K-9497	2.5" (6.4 cm) metal finish keypad trim		<input type="checkbox"/> CP	<input type="checkbox"/> Other _____	

#### Product Specification

The acrylic bath whirlpool shall be 66" (167.6 cm) in length, 42" (106.7 cm) in width, and 22" (55.9 cm) in height. Bath whirlpool shall have 8 Flexjets, variable speed pump with 1.5 kW heater, and back-lit user control. Bath whirlpool shall be less all trim. Bath whirlpool shall be Kohler Model K-1158-H2-\_\_\_\_\_.

# BANCROFT™ 5.5'

## Technical Information

Fixture*:				
Bathing well:				
Basin area, bottom	46" (116.8 cm) x 30" (76.2 cm)			
Basin area, top	57" (144.8 cm) x 34" (86.4 cm)			
Weight	130 lbs 59 kg)			
To overflow:				
Water depth	16" (40.6 cm)			
Capacity	95 gal (359.6 L)			
* Approximate measurements for comparison only.				
Included component:				
Cut-out template	1043292-7			
Pump	Heater	V	Hz	A
	1.5 kW	240	50/60	11
Minimum access panel (required):				
Pump/ control	34" (86.4 cm) W x 15" (38.1 cm) H			

## Required Electrical Service

Dedicated circuit required, protected with Class A Ground-Fault Circuit-Interrupter (GFCI) or Residual Current Device (RCD):	
Pump/control	220-240 V, 20 A, 50/60 Hz

## Installation Notes

Install this product according to the installation guide.

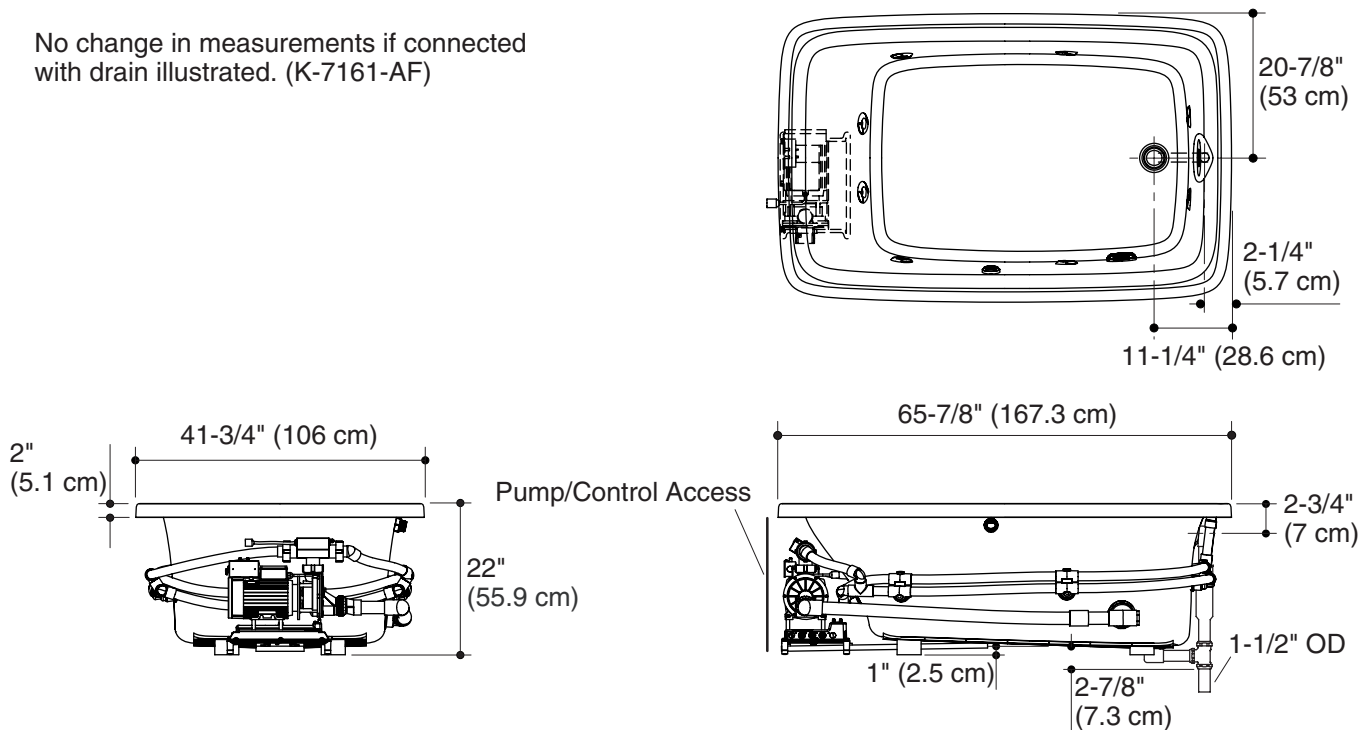
Floor support under whirlpool must provide for a minimum of 50 lbs/square foot (242.3 kg/square meter).

Hot water supply should be 70% of capacity or greater. Installations will vary.

This bath is designed for drop-in installation only. It is not suited for use in a three-wall alcove with an overhead shower.

A minimum access panel is required.

No change in measurements if connected with drain illustrated. (K-7161-AF)



## Product Diagram