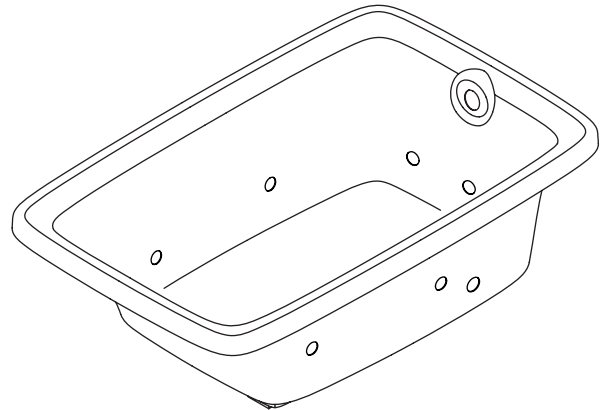


BANCROFT® 5.5'

Features

- Acrylic
- Variable-speed pump with 1.5 kW heater, back-lit user keypad, and remote control
- Less all trim
- 8 Flexjets™
- Custom pump locations
- 65-7/8" (167.3 cm) x 41-3/4" (106 cm) x 22" (55.9 cm)

CUSTOM BATH WHIRLPOOL K-1158-HB ALSO K-1158-HE, K-1158-HJ



Codes/Standards Applicable

Specified model meets or exceeds the following:

- Underwriters Laboratories (UL)
- ASME A112.19.7M
- UL 1795

Colors/Finishes

- 0: White
- Other: Refer to Price Book for additional colors/finishes

Accessories:

- CP: Polished Chrome
- PB: Vibrant® Polished Brass
- Other: Refer to Price Book for additional colors/finishes

Specified Model

Model	Description	Colors/Finishes		
K-1158-HB	Custom bath whirlpool	<input type="checkbox"/> 0	<input type="checkbox"/> Other_____	
K-1158-HE	Custom bath whirlpool	<input type="checkbox"/> 0	<input type="checkbox"/> Other_____	
K-1158-HJ	Custom bath whirlpool	<input type="checkbox"/> 0	<input type="checkbox"/> Other_____	
Required Accessories				
K-9698	Jet trim kit	<input type="checkbox"/> CP	<input type="checkbox"/> PB	<input type="checkbox"/> Other_____
Recommended Accessories				
K-7161-AF	Adjustable pop-up drain	<input type="checkbox"/> CP	<input type="checkbox"/> PB	<input type="checkbox"/> Other_____

Product Specification

The acrylic bath whirlpool shall be 65-7/8" (167.3 cm) in length, 41-3/4" (106 cm) in width, and 22" (55.9 cm) in height. Bath whirlpool shall have 8 Flexjets, variable speed custom pump, 1.5 kW heater, and back-lit user control. Bath whirlpool shall be less all trim. Bath whirlpool shall have custom pump locations. Bath whirlpool shall be Kohler Model K-1158-____-____.

BANCROFT® 5.5'

Technical Information

Fixture*:				
Bathing well:				
Basin area, bottom	46" (116.8 cm) x 30" (76.2 cm)			
Basin area, top	57" (144.8 cm) x 34" (86.4 cm)			
Weight	130 lbs (59 kg)			
To overflow:				
Water depth	16" (40.6 cm)			
Capacity	95 gal (359.6 L)			
* Approximate measurements for comparison only.				
Pump	Heater	V	Hz	A
	1.5 kW	240	50/60	11
Minimum access panel (required):				
Pump/ control	34" (86.4 cm) W x 15" (38.1 cm) H			

Required Electrical Service

Dedicated circuit required, protected with Class A Ground-Fault Circuit-Interrupter (GFCI) or Residual Current Device (RCD):	
Pump/control	220/240 V, 20 A, 50/60 Hz

Installation Notes

Install this product according to the installation guide.

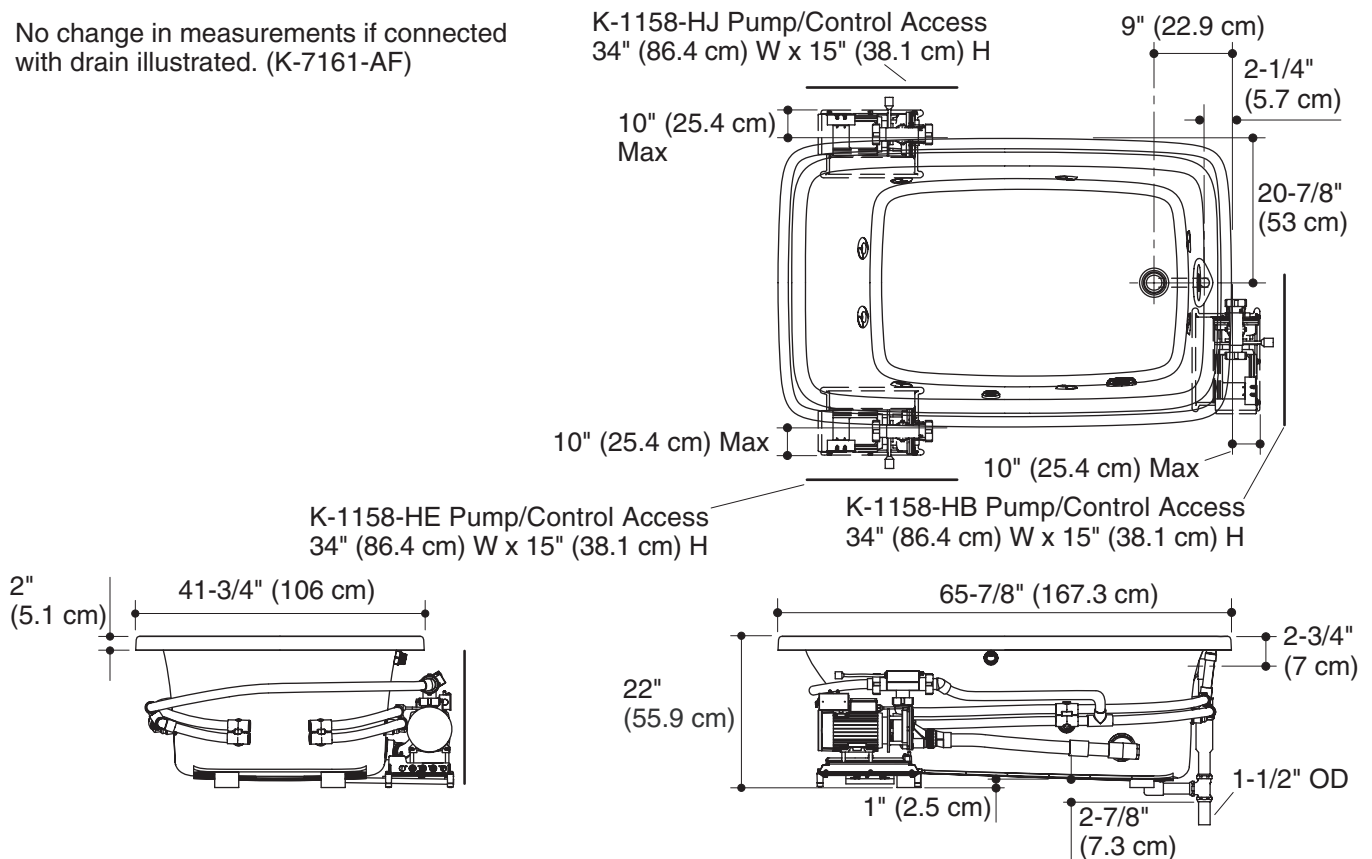
Floor support under whirlpool must provide for a minimum of 50 lbs/square foot (816.5 kg/square meter)

Hot water supply should be 70% of capacity or greater. Installations will vary.

This bath is designed for drop-in installation only. It is not suited for use in a three-wall alcove with an overhead shower.

Pump must be relocated to custom position at the time of installation. Provide adequate clearance.

No change in measurements if connected with drain illustrated. (K-7161-AF)



Product Diagram