

### UNDERCOUNTER LAVATORY K-2832

ADA

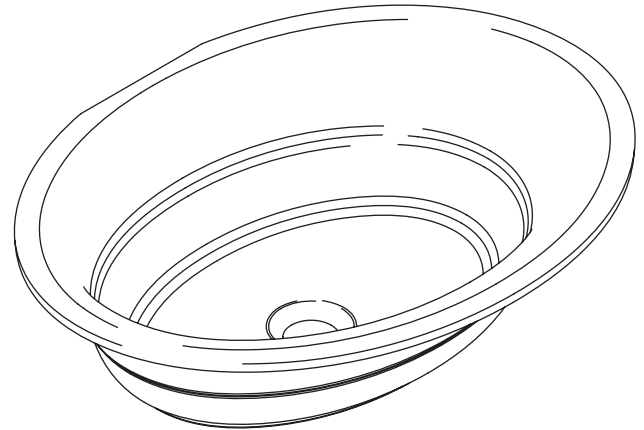
#### Features

- KOHLER cast iron
- Without overflow
- Undercounter
- 19-5/8" (49.8 cm) x 15" (38.1 cm)

#### Codes/Standards Applicable

Specified model meets or exceeds the following:

- ADA
- ASME A112.19.1/CSA B45.2
- ICC/ANSI A117.1



#### Colors/Finishes

- 0: White
- Other: Refer to Price Book for additional colors/finishes

#### Accessories:

- CP: Polished Chrome
- Other: Refer to Price Book for additional colors/finishes

#### Specified Model

Model	Description	Colors/Finishes	
K-2832	Undercounter lavatory	<input type="checkbox"/> 0	<input type="checkbox"/> Other_____
<b>Required Accessory</b>			
K-7701	Drain	<input type="checkbox"/> CP	<input type="checkbox"/> Other_____
<b>Recommended Accessory</b>			
K-9018	Trap	<input type="checkbox"/> CP	<input type="checkbox"/> Other_____

#### Product Specification

The undercounter lavatory shall be 19-5/8" (49.8 cm) in length and 15" (38.1 cm) in width. Lavatory shall be made of cast iron. Lavatory shall not have overflow. Lavatory shall be Kohler Model K-2832-\_\_\_\_\_.

# GARAMOND®

## Technical Information

Fixture:*	
Basin area	19-5/8" (49.8 cm) x 15" (38.1 cm)
Drain hole	1-3/4" (4.4 cm) D.
Water depth	5-1/2" (14.0 cm)
* Approximate measurements for comparison only.	

Included Components:	
Basin clamp assembly	52047
Cut-out template	1046629-7

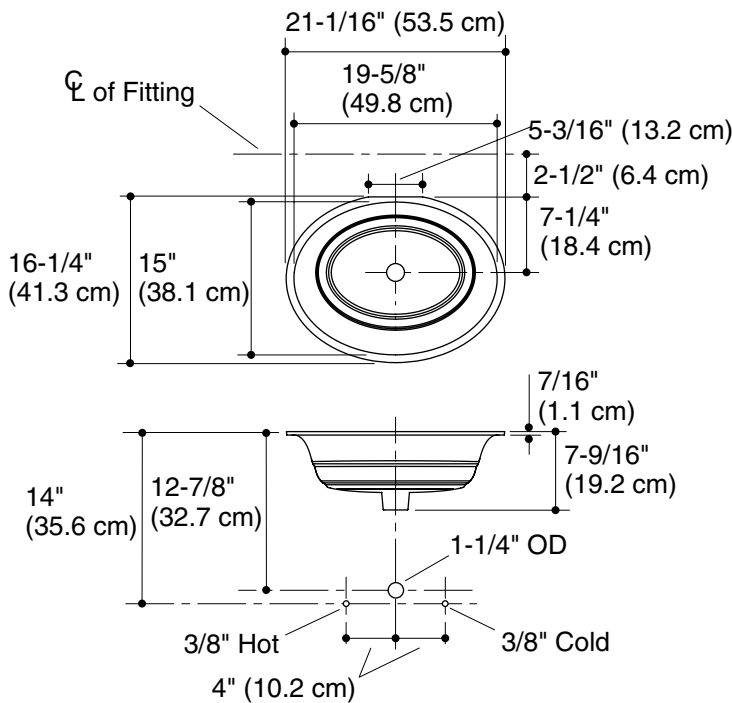
## Installation Notes

Install this product according to the installation guide.

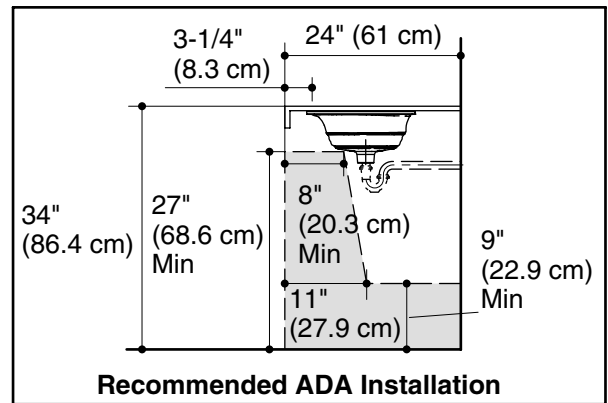
Product does not have overflow.

Supplied basin clamp assemblies require 1" (2.5 cm) minimum countertop thickness. Installer must supply anchors for thinner countertops.

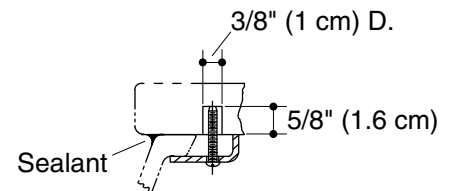
**NOTICE:** The countertop manufacturer or cutter **must** use the cutout template provided with the product, or a current one provided by the Kohler Co. (call 1-800-4-KOHLER). Kohler Co. is not responsible for cutout errors when the incorrect cutout template is used.



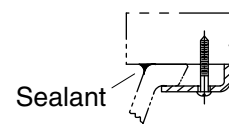
Standard Installation



Recommended ADA Installation



Marble Installation



Wood Installation

## Product Diagram