

WADING POOL® LAVATORY K-2833

ADA

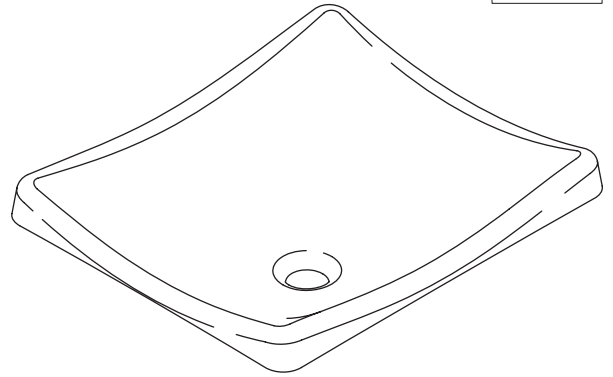
Features

- KOHLER cast iron
- Without overflow
- Countertop installation
- 18-1/4" (46.4 cm) x 15-5/8" (39.7 cm)

Codes/Standards Applicable

Specified model meets or exceeds the following:

- ADA
- ICC/ANSI A117.1
- ASME A112.19.1/CSA B45.2



Colors/Finishes

- 0: White
- Other: Refer to Price Book for additional colors/finishes

Accessories

- CP: Polished Chrome
- Other: Refer to Price Book for additional colors/finishes

Specified Model

Model	Description	Colors/Finishes	
K-2833	Wading Pool lavatory	<input type="checkbox"/> 0	<input type="checkbox"/> Other_____
Recommended Accessories			
K-7124	Lavatory clicker pop-up drain without overflow OR	<input type="checkbox"/> CP	<input type="checkbox"/> Other_____
K-7129	Lavatory grid drain without overflow	<input type="checkbox"/> CP	<input type="checkbox"/> Other_____
K-9018	P-Trap	<input type="checkbox"/> CP	<input type="checkbox"/> Other_____

Product Specification

The cast iron lavatory shall be 18-1/4" (46.4 cm) in length and 15-5/8" (39.7 cm) in width. Lavatory shall be without overflow. Lavatory shall be countertop installation. Lavatory shall be Kohler Model K-2833-_____.

DEMILAV®

Technical Information

Fixture*:	
Basin area	16-1/2" (41.9 cm) x 13-3/4" (34.9 cm)
Water depth	5" (12.7 cm)
Drain hole	1-3/4" (4.4 cm) D.
* Approximate measurements for comparison only.	
Included component:	
Cut-out template	1046630-7

Installation Notes

Install this product according to the installation guide.

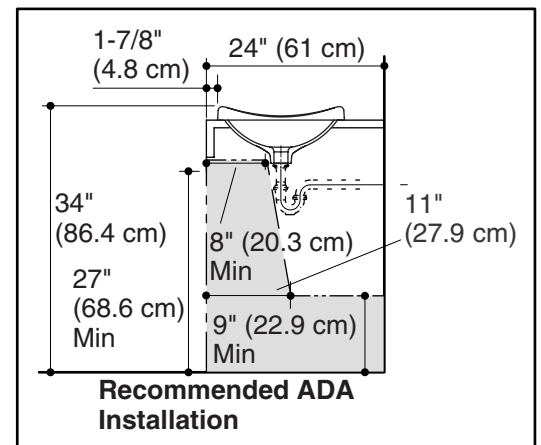
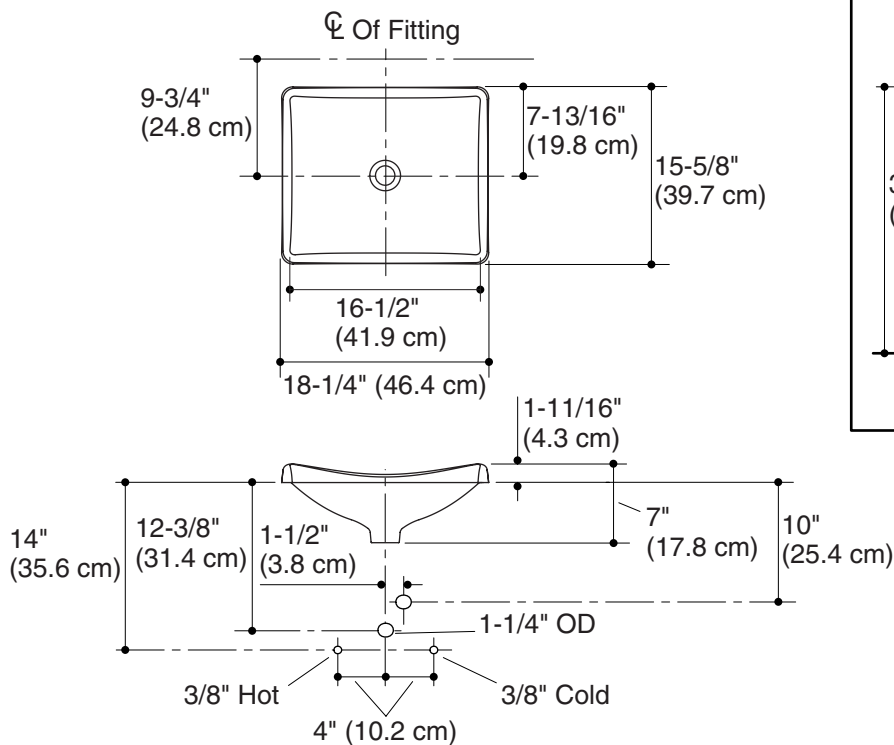
Product does not have overflow.

NOTICE: Countertop manufacturer or cutter **must** use the cut-out template provided with the product, or a current one provided by Kohler Co. (call 1-800-4-KOHLER). Kohler Co. is not responsible for cutout errors when the incorrect cut-out template is used.

The spout must be a minimum of 5" (12.7 cm) long for adequate clearance into the lavatory when installed with the centerline, as shown.

The spout must be tall enough to clear the 1-11/16" (4.3 cm) rim height and provide a 1" (2.5 cm) air gap per ASME A112.1.2.

Will comply with **ADA** when installed per Section 606 Lavatories of the Act.



Product Diagram