

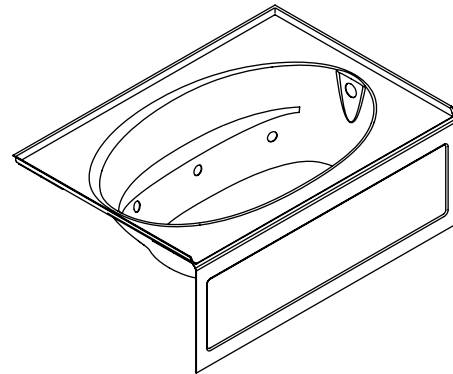
Features

- Acrylic
- Rectangular shape
- Integral apron with removable access panel
- Pump with air switch and grounding-type plug-in cord
- 6 individually adjustable ProFlex® hydro-massage jets
- Molded lumbar supports and armrests
- In-line heater
- 60" (152.4 cm) x 42" (106.7 cm) x 21" (53.3 cm)

BATH WHIRLPOOL WITH INTEGRAL APRON AND HEATER

K-1112-HL

ALSO K-1112-HR



Codes/Standards Applicable

Specified model meets or exceeds the following:

- ANSI Z124.1.2
- ASME A112.19.7M
- ASTM E162
- ASTM E662
- UL 1795

Colors/Finishes

- 0: White
- Other: Refer to Price Book for additional colors/finishes

Accessories

- CP: Polished Chrome
- Other: Refer to Price Book for additional colors/finishes

Specified Model

Model	Description	Colors/Finishes	
K-1112-HL	Bath whirlpool with integral apron and heater – left drain	<input type="checkbox"/> 0	<input type="checkbox"/> Other_____
K-1112-HR	Bath whirlpool with integral apron and heater – right drain	<input type="checkbox"/> 0	<input type="checkbox"/> Other_____

Recommended Accessories

K-7166	Adjustable pop-up drain – above or through-the-floor installation OR	<input type="checkbox"/> CP	<input type="checkbox"/> Other_____
K-11677	Adjustable trip lever drain – through-the-floor installation	<input type="checkbox"/> CP	<input type="checkbox"/> Other_____

Optional Accessories

K-9696	Jet trim kit – metal finishes	<input type="checkbox"/> CP	<input type="checkbox"/> Other_____
--------	-------------------------------	-----------------------------	-------------------------------------

Product Specification

The rectangular acrylic bath whirlpool shall be 60" (152.4 cm) in length, 42" (106.7 cm) in width, and 21" (53.3 cm) in height. Product shall feature an integral apron with removable access panel. Product shall have 6 individually adjustable Proflex hydro-massage jets and a pump with air switch and grounding-type plug-in cord, and an in-line heater. Product shall feature molded lumbar supports and armrests. Bath whirlpool shall be Kohler Model K-1112-____-____.

WINDWARD®

Technical Information

Fixture*:	
Bathing well:	
Basin area, bottom	43" (109.2 cm) x 20-1/2" (52.1 cm)
Basin area, top	53-1/2" (135.9 cm) x 32-1/8" (81.6 cm)
Weight	120 lbs (55 kg)
To overflow:	
Water depth	15" (38.1 cm)
Capacity	57 gal (215.9 L)
* Approximate measurements for comparison only.	

Drop-in cut-out dimensions:	
58-1/2" (148.6 cm) x 40-1/2" (102.9 cm)	

Pump:		V	Hz	A
1-speed		120	60	7.5
Heater	kW	V	Hz	A
	1.5	120	60	12.5

Minimum access panel pump/control:

20" (50.8 cm) W x 15" (38.1 cm) H	required
-----------------------------------	----------

Required Electrical Service (2 required)

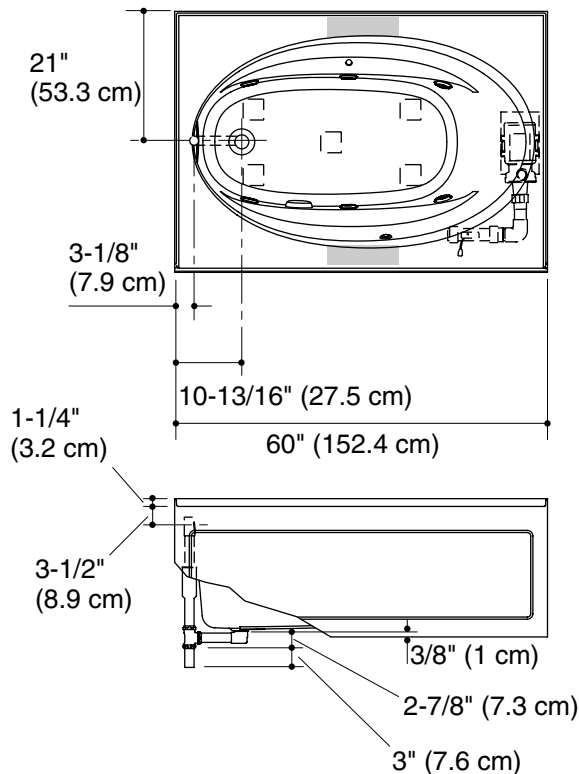
Two dedicated circuits required, both protected with a Class A Ground-Fault Circuit-Interrupter (GFCI):	
Pump/control	120 V, 15 A, 60 Hz
Heater	120 V, 15 A, 60 Hz
Locate the outlets behind the whirlpool and within 24" (61 cm) of the pump and, if supplied, heater.	

Installation Notes

Install this product according to the installation guide.

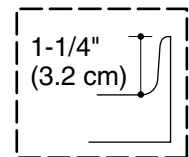
Floor support under whirlpool must provide for a minimum of 36 lbs/square foot (174 kg/square meter) loading.

If installing a rim-mount faucet, make sure there is no interference with the drain overflow and circulating system before drilling any holes. Consult local and national codes for minimum air gap requirements if installing a spout on the faucet deck.

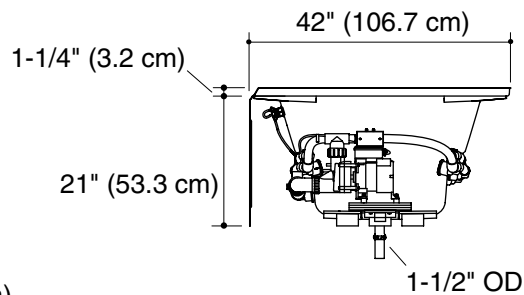


No change in measurements if connected with drain illustrated. (K-11677 or K-11677M)

Recommended faucet area



Tile Flange Detail



Product Diagram