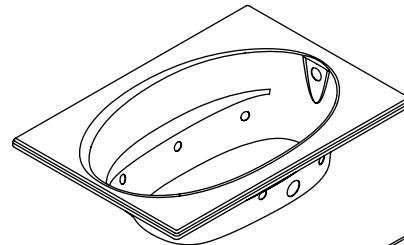


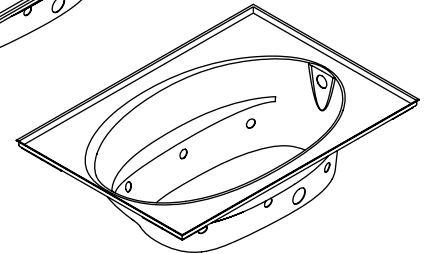
Features

- Acrylic
- Rectangular shape
- Drop-in, 4-side integral flange
- Pump with air switch and grounding-type plug-in cord
- 6 individually adjustable ProFlex® hydro-massage jets
- Molded lumbar supports and armrests
- 60" (152.4 cm) x 42" (106.7 cm) x 21" (53.3 cm)

BATH WHIRLPOOL K-1112 ALSO K-1112-F



K-1112



K-1112-F

Codes/Standards Applicable

Specified model meets or exceeds the following:

- ANSI Z124.1.2
- ASME A112.19.7M
- ASTM E162
- ASTM E662
- UL 1795

Colors/Finishes

- 0: White
- Other: Refer to Price Book for additional colors/finishes

Accessories

- CP: Polished Chrome
- Other: Refer to Price Book for additional colors/finishes

Specified Model

Model	Description	Colors/Finishes	
K-1112	Bath whirlpool – drop-in rim style	<input type="checkbox"/> 0	<input type="checkbox"/> Other_____
K-1112-F	Bath whirlpool – drop-in, 4-side integral flange	<input type="checkbox"/> 0	<input type="checkbox"/> Other_____
Recommended Accessory			
K-7166	Pop-up bath drain – above or through-the-floor installation OR	<input type="checkbox"/> CP	<input type="checkbox"/> Other_____
K-11677	Adjustable trip lever bath drain – through-the-floor installation	<input type="checkbox"/> CP	<input type="checkbox"/> Other_____
Optional Accessories			
K-9696	Jet trim kit – metal finishes	<input type="checkbox"/> CP	<input type="checkbox"/> Other_____

Product Specification

The acrylic bath whirlpool shall be 60" (152.4 cm) in length, 42" (106.7 cm) in width, and 21" (53.3 cm) in height. Bath whirlpool shall be for drop-in or drop-in, 4-side integral flange drop-in. Bath whirlpool shall feature a rectangular shape. Bath whirlpool shall have 6 individually adjustable Proflex hydro-massage jets and a pump with air switch and grounding-type plug-in cord. Bath whirlpool shall feature molded lumbar supports and armrests. Bath whirlpool shall be Kohler Model K-1112-____ or K-1112-F-____.

WINDWARD®

Technical Information

Fixture*:			
Bathing well:			
Basin area, bottom	43" (109.2 cm) x 20-1/2" (52.1 cm)		
Basin area, top	53-1/2" (135.9 cm) x 32-1/8" (81.6 cm)		
Weight	110 lbs (50 kg)		
To overflow:			
Water depth	15" (38.1 cm)		
Capacity	57 gal (215.9 L)		
* Approximate measurements for comparison only.			
Drop-in cut-out dimensions:			
58-1/2" (148.6 cm) x 40-1/2" (102.9 cm)			
Pump:	V	Hz	A
1-speed	120	60	7.5
Minimum access panel pump/control:			required
20" (50.8 cm) W x 15" (38.1 cm) H			

Required Electrical Service

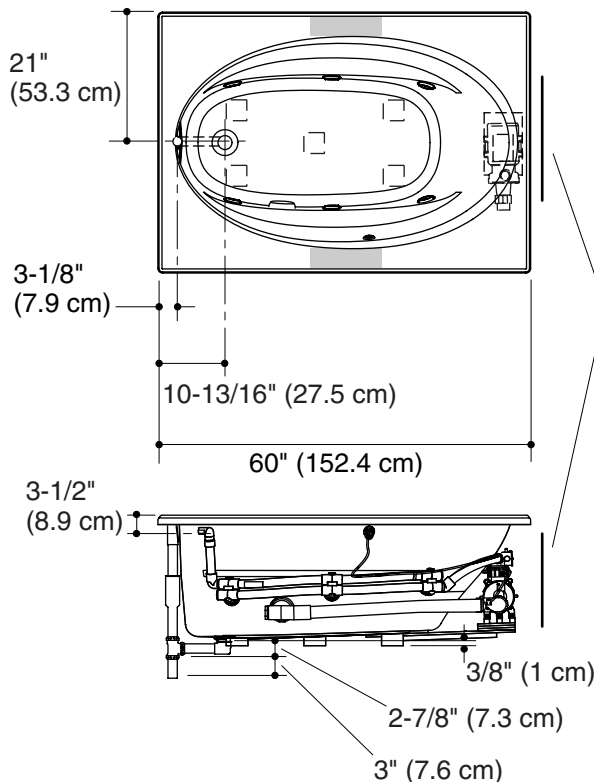
Dedicated circuit required, protected with a Class A Ground-Fault Circuit-Interrupter (GFCI):	
Pump/control	120 V, 15 A, 60 Hz
Locate the outlet behind the whirlpool and within 24" (61 cm) of the pump.	

Installation Notes

Install this product according to the installation guide.

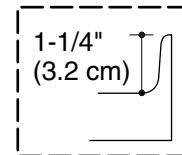
Floor support under the whirlpool must provide for a minimum of 35 lbs/square foot (171 kg/square meter) loading.

If installing a rim-mount faucet, make sure there is no interference with the drain overflow and circulating system before drilling any holes. Consult local and national codes for minimum air gap requirements if installing a spout on the faucet deck.

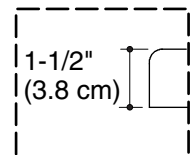


No change in measurements if connected with drain illustrated. (K-11677 or K-11677M)

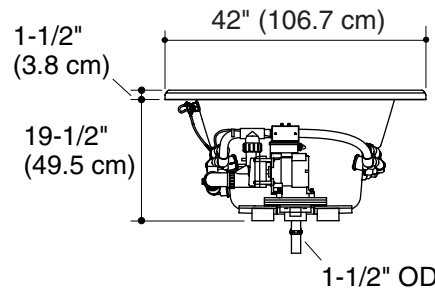
Recommended faucet area



Tile Flange Detail



Drop-In Rim Detail



Product Diagram