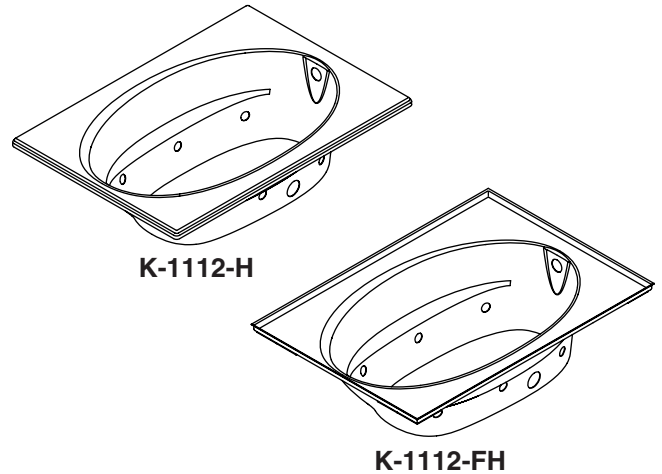


### Features

- Acrylic
- Rectangular shape
- Pump with air switch and grounding-type plug-in cord
- 6 individually adjustable ProFlex® hydro-massage jets
- Molded lumbar supports and armrests
- In-line heater
- Drop-in [-H] or drop-in, 4-side integral flange [-FH]
- 60" (152.4 cm) x 42" (106.7 cm) x 21" (53.3 cm)

### BATH WHIRLPOOL WITH HEATER K-1112-H ALSO K-1112-FH



### Codes/Standards Applicable

Specified model meets or exceeds the following:

- ANSI Z124.1.2
- ASME A112.19.7M
- ASTM E162
- ASTM E662
- UL 1795

### Colors/Finishes

- 0: White
- Other: Refer to Price Book for additional colors/finishes

### Accessories

- CP: Polished Chrome
- Other: Refer to Price Book for additional colors/finishes

### Specified Model

Model	Description	Colors/Finishes	
K-1112-H	Bath whirlpool with heater – drop-in	<input type="checkbox"/> 0	<input type="checkbox"/> Other_____
K-1112-FH	Bath whirlpool with heater – drop-in, 4-side integral flange	<input type="checkbox"/> 0	<input type="checkbox"/> Other_____

#### Recommended Accessories

K-7166	Adjustable pop-up drain – above or through-the-floor installation <b>OR</b>	<input type="checkbox"/> CP	<input type="checkbox"/> Other_____
K-11677	Adjustable trip lever drain – through-the-floor installation	<input type="checkbox"/> CP	<input type="checkbox"/> Other_____

#### Optional Accessories

K-9696	Jet trim kit – metal finishes	<input type="checkbox"/> CP	<input type="checkbox"/> Other_____
--------	-------------------------------	-----------------------------	-------------------------------------

### Product Specification

The rectangular acrylic bath whirlpool shall be 60" (152.4 cm) in length, 42" (106.7 cm) in width, and 21" (53.3 cm) in height. Product shall be available as drop-in [-H] or drop-in, 4-side integral flange [-FH]. Product shall have 6 individually adjustable ProFlex hydro-massage jets, a pump with air switch and grounding-type plug-in cord, and an in-line heater. Product shall have molded lumbar supports and armrests. Bath whirlpool shall be Kohler Model K-1112-\_\_\_\_-\_\_\_\_.

# WINDWARD®

## Technical Information

Fixture*:				
Bathing well:				
Basin area, bottom	43" (109.2 cm) x 20-1/2" (52.1 cm)			
Basin area, top	53-1/2" (135.9 cm) x 32-1/8" (81.6 cm)			
Weight	110 lbs (50 kg)			
To overflow:				
Water depth	15" (38.1 cm)			
Capacity	57 gal (215.9 L)			
* Approximate measurements for comparison only.				
Drop-in cut-out dimensions:				
58-1/2" (148.6 cm) x 40-1/2" (102.9 cm)				
Pump:	V	Hz	A	
1-speed	120	60	7.5	
Heater	kW	V	Hz	A
	1.5	120	60	12.5
Minimum access panel pump/control:				
20" (50.8 cm) W x 15" (38.1 cm) H			required	

## Required Electrical Service (2 required)

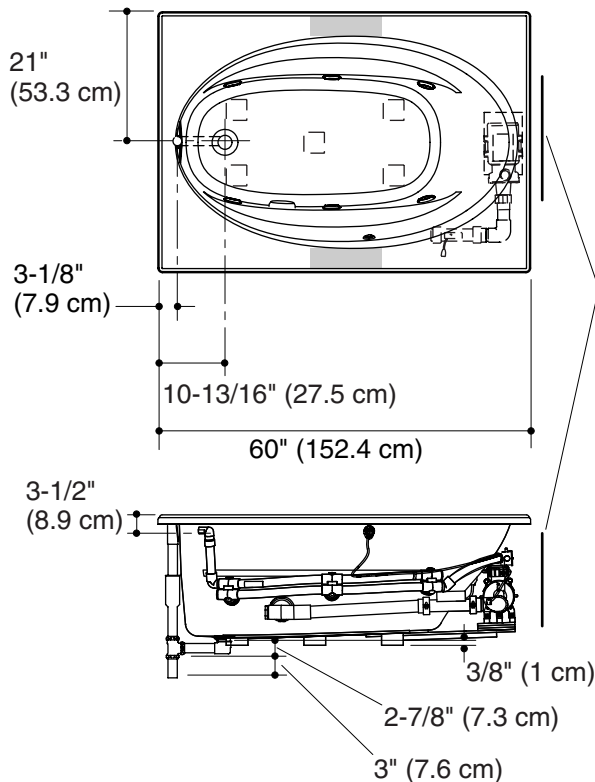
Two dedicated circuits required, each protected with a Class A Ground-Fault Circuit-Interrupter (GFCI):	
Pump/control	120 V, 15 A, 60 Hz
Heater	120 V, 15 A, 60 Hz
Locate the outlets behind the whirlpool and within 24" (61 cm) of the pump and, if supplied, heater.	

## Installation Notes

Install this product according to the installation guide.

Floor support under the whirlpool must provide for a minimum of 35 lbs/square foot (171 kg/square meter) loading.

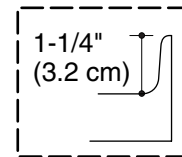
If installing a rim-mount faucet, make sure there is no interference with the drain overflow and circulating system before drilling any holes. Consult local and national codes for minimum air gap requirements if installing a spout on the faucet deck.



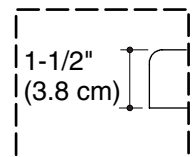
Pump/Control Access

No change in measurements if connected with drain illustrated. (K-11677 or K-11677M)

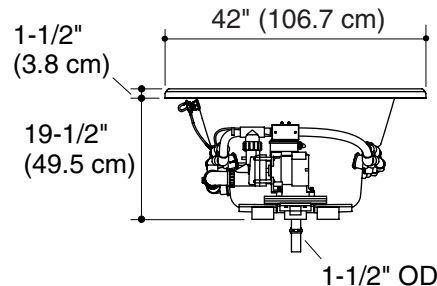
Recommended faucet area



Tile Flange Detail



Drop-In Rim Detail



## Product Diagram