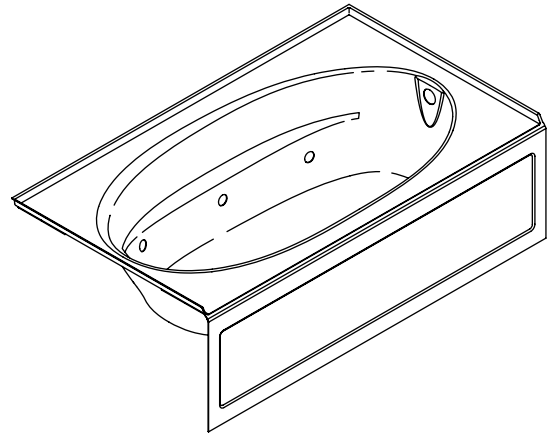


Features

- Acrylic
- Rectangular shape
- Integral apron with removable access panel
- Pump with air switch and grounding-type plug-in cord
- 6 individually adjustable ProFlex® hydro-massage jets
- Molded lumbar supports and armrests
- Left or right drain
- 72" (182.9 cm) x 42" (106.7 cm) x 21" (53.3 cm)

BATH WHIRLPOOL WITH INTEGRAL APRON

K-1114-LA
ALSO K-1114-RA



Codes/Standards Applicable

Specified model meets or exceeds the following:

- ANSI Z124.1.2
- ASME A112.19.7M
- UL 1795

Colors/Finishes

- 0: White
- Other: Refer to Price Book for additional colors/finishes

Accessories

- CP: Polished Chrome
- Other: Refer to Price Book for additional colors/finishes

Specified Model

| Model | Description | Colors/Finishes | |
|-----------|--|----------------------------|-------------------------------------|
| K-1114-LA | Bath whirlpool with integral apron – left drain | <input type="checkbox"/> 0 | <input type="checkbox"/> Other_____ |
| K-1114-RA | Bath whirlpool with integral apron – right drain (shown) | <input type="checkbox"/> 0 | <input type="checkbox"/> Other_____ |

Recommended Accessories

| | | | |
|---------|---|-----------------------------|-------------------------------------|
| K-7166 | Adjustable pop-up drain – above or through-the-floor installation OR | <input type="checkbox"/> CP | <input type="checkbox"/> Other_____ |
| K-11677 | Adjustable trip lever drain – through-the-floor installation | <input type="checkbox"/> CP | <input type="checkbox"/> Other_____ |

Optional Accessories

| | | | |
|--------|-------------------------------|-----------------------------|-------------------------------------|
| K-9696 | Jet trim kit (metal finishes) | <input type="checkbox"/> CP | <input type="checkbox"/> Other_____ |
|--------|-------------------------------|-----------------------------|-------------------------------------|

Product Specification

The rectangular acrylic bath whirlpool shall be 72" (182.9 cm) in length, 42" (106.7 cm) in width, and 21" (53.3 cm) in height. Product shall feature an integral apron and removable access panel. Product shall be available with a left or right drain. Product shall have 6 individually adjustable Proflex hydro-massage jets and a pump with air switch and grounding-type plug-in cord. Product shall have molded lumbar support and armrests. Bath whirlpool shall be Kohler Model K-1114-____-____.

WINDWARD®

Technical Information

| | |
|---|------------------------------------|
| Fixture*: | |
| Bathing well: | |
| Basin area, bottom | 55" (139.7 cm) x 23-1/4" (59.1 cm) |
| Basin area, top | 64" 162.6 cm) x 32" (81.3 cm) |
| Weight | 132 lbs (60 kg) |
| To overflow: | |
| Water depth | 15" (38.1 cm) |
| Capacity | 78.5 gal (297 L) |
| * Approximate measurements for comparison only. | |

| Pump: | V | Hz | A |
|---------|-----|----|-----|
| 1-speed | 120 | 60 | 7.5 |

| | |
|------------------------------------|----------|
| Minimum access panel pump/control: | |
| 20" (50.8 cm) W x 15" (38.1 cm) H | required |

Required Electrical Service

| | |
|---|--------------------|
| Dedicated circuit required, protected with a Class A Ground-Fault Circuit-Interrupter (GFCI): | |
| Pump/control | 120 V, 15 A, 60 Hz |
| Locate the outlet behind the whirlpool and within 24" (61 cm) of the pump. | |

Installation Notes

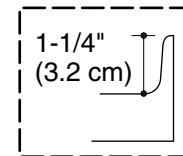
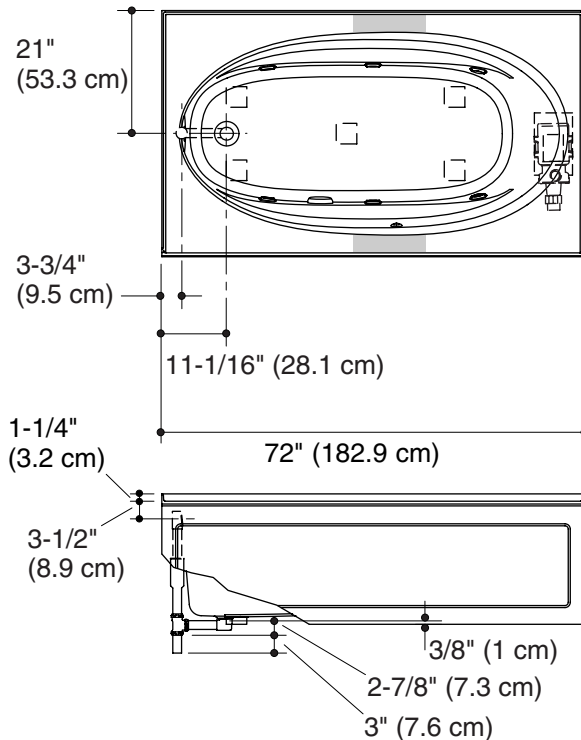
Install this product according to the installation guide.

Floor support under the whirlpool must provide for a minimum of 39 lbs/square foot (189 kg/square meter) loading.

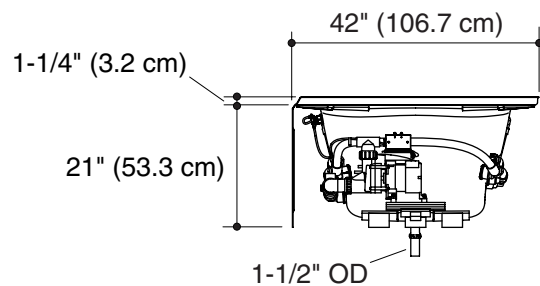
If installing a rim-mount faucet, make sure there is no interference with the drain overflow and circulating system before drilling any holes. Consult local and national codes for minimum air gap requirements if installing a spout on the faucet deck.

No change in measurements if connected with drain illustrated. (K-11677 or K-11677M)

 Recommended faucet area



Tile Flange Detail



Product Diagram