

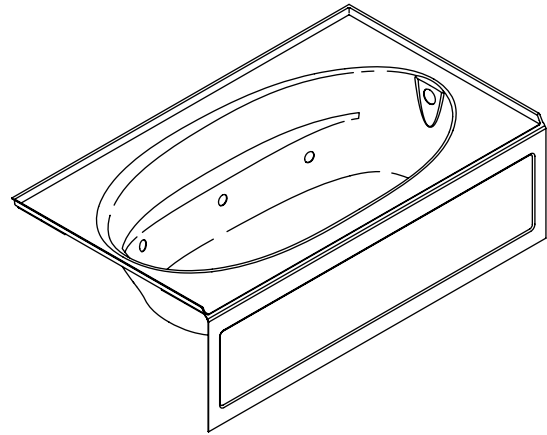
Features

- Acrylic
- Rectangular shape
- Integral apron with removable access panel
- Pump with air switch and grounding-type plug-in cord
- 6 individually adjustable ProFlex® hydro-massage jets
- Molded lumbar supports and armrests
- In-line heater
- Left or right drain
- 72" (182.9 cm) x 42" (106.7 cm) x 21" (53.3 cm)

BATH WHIRLPOOL WITH INTEGRAL APRON AND HEATER

K-1114-HL

ALSO K-1114-HR



Codes/Standards Applicable

Specified model meets or exceeds the following:

- ANSI Z124.1.2
- ASME A112.19.7M
- UL 1795

Colors/Finishes

- 0: White
- Other: Refer to Price Book for additional colors/finishes

Accessories

- CP: Polished Chrome
- Other: Refer to Price Book for additional colors/finishes

Specified Model

Model	Description	Colors/Finishes	
K-1114-HL	Bath whirlpool with integral apron and heater – left drain	<input type="checkbox"/> 0	<input type="checkbox"/> Other_____
K-1114-HR	Bath whirlpool with integral apron and heater – right drain (shown)	<input type="checkbox"/> 0	<input type="checkbox"/> Other_____

Recommended Accessories

K-7166	Adjustable pop-up drain – above or through-the-floor installation OR	<input type="checkbox"/> CP	<input type="checkbox"/> Other_____
K-11677	Adjustable trip lever drain – through-the-floor installation	<input type="checkbox"/> CP	<input type="checkbox"/> Other_____

Optional Accessories

K-9696	Jet trim kit – metal finishes	<input type="checkbox"/> CP	<input type="checkbox"/> Other_____
--------	-------------------------------	-----------------------------	-------------------------------------

Product Specification

The rectangular acrylic bath whirlpool shall be 72" (182.9 cm) in length, 42" (106.7 cm) in width, and 21" (53.3 cm) in height. Product shall feature an integral apron with removable access panel. Product shall be available with a left or right drain. Product shall feature 6 individually adjustable ProFlex hydro-massage jets. Product shall feature a pump with air switch and grounding-type plug-in cord, and in-line heater. Product shall feature a molded lumbar support and armrests. Bath whirlpool shall be Kohler Model K-1114-____-____.

WINDWARD®

Technical Information

Fixture*:	
Bathing well:	
Basin area, bottom	55" (139.7 cm) x 23-1/4" (59.1 cm)
Basin area, top	64" 162.6 cm) x 32" (81.3 cm)
Weight	149 lbs (68 kg)
To overflow:	
Water depth	15" (38.1 cm)
Capacity	78.5 gal (297 L)
* Approximate measurements for comparison only.	

Pump:	V	Hz	A
1-speed	120	60	7.5
Heater:	kW	V	Hz
	1.5	120	60
			A
			12.5

Minimum access panel pump/control:	
20" (50.8 cm) W x 15" (38.1 cm) H	required

Required Electrical Service (2 required)

Two dedicated circuits required, both protected with a Class A Ground-Fault Circuit-Interrupter (GFCI):	
Pump/control	120 V, 15 A, 60 Hz
Heater	120 V, 15 A, 60 Hz
Locate the outlets behind the whirlpool and within 24" (61 cm) of the pump and, if supplied, heater.	

Installation Notes

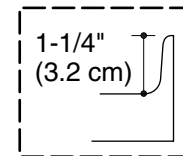
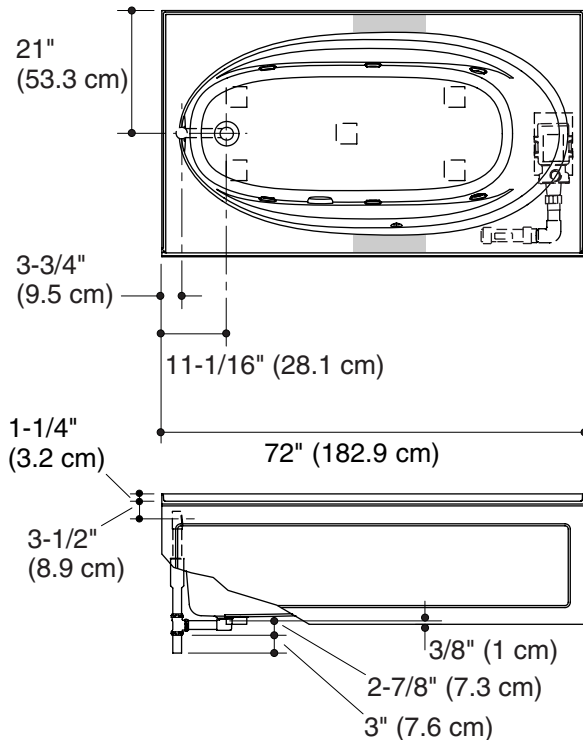
Install this product according to the installation guide.

Floor support under the whirlpool must provide for a minimum of 34 lbs/square foot (162 kg/square meter) loading.

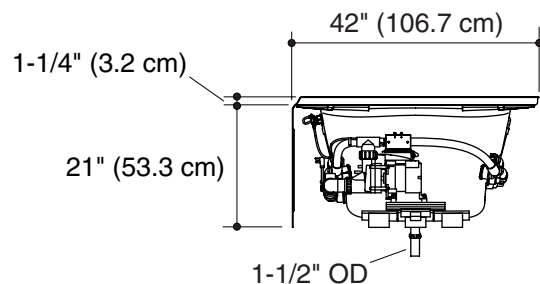
If installing a rim-mount faucet, make sure there is no interference with the drain overflow and circulating system before drilling any holes. Consult local and national codes for minimum air gap requirements if installing a spout on the faucet deck.

No change in measurements if connected with drain illustrated. (K-11677 or K-11677M)

 Recommended faucet area



Tile Flange Detail



Product Diagram