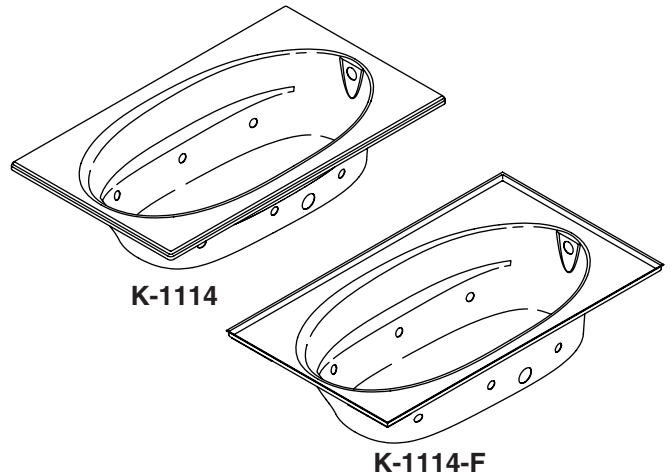


BATH WHIRLPOOL **K-1114** ALSO K-1114-F

Features

- Acrylic
- Rectangular shape
- Pump with air switch and grounding-type plug-in cord
- 6 individually adjustable ProFlex® hydro-massage jets
- Molded lumbar supports and armrests
- Drop-in [K-1114] or drop-in, 4-side integral flange [K-1114-F]
- 72" (182.9 cm) x 42" (106.7 cm) x 21" (53.3 cm)



Codes/Standards Applicable

Specified model meets or exceeds the following:

- ANSI Z124.1.2
- ASME A112.19.7M
- UL 1795

Colors/Finishes

- 0: White
- Other: Refer to Price Book for additional colors/finishes

Accessories

- CP: Polished Chrome
- Other: Refer to Price Book for additional colors/finishes

Specified Model

Model	Description	Colors/Finishes	
K-1114	Bath whirlpool – drop-in	<input type="checkbox"/> 0	<input type="checkbox"/> Other_____
K-1114-F	Bath whirlpool – drop-in, 4-side integral flange	<input type="checkbox"/> 0	<input type="checkbox"/> Other_____
Recommended Accessories			
K-7166	Adjustable pop-up drain – above or through-the-floor installation OR	<input type="checkbox"/> CP	<input type="checkbox"/> Other_____
K-11677	Adjustable trip lever drain – through-the-floor installation	<input type="checkbox"/> CP	<input type="checkbox"/> Other_____
Optional Accessories			
K-9696	Jet trim kit (metal finishes)	<input type="checkbox"/> CP	<input type="checkbox"/> Other_____

Product Specification

The rectangular acrylic bath whirlpool shall be 72" (182.9 cm) in length, 42" (106.7 cm) in width, and 21" (53.3 cm) in height. Product shall be drop-in [K-1114] or drop-in, 4-side integral flange [K-1114-F]. Product shall have 6 individually adjustable ProFlex hydro-massage jets and a pump with air switch and grounding-type plug-in cord. Product shall have molded lumbar supports and armrests. Bath whirlpool shall be Kohler Model K-1114-____ or K-1114-F-____.

WINDWARD®

Technical Information

Fixture*:	
Bathing well:	
Basin area, bottom	55" (139.7 cm) x 23-1/4" (59.1 cm)
Basin area, top	64" 162.6 cm) x 32" (81.3 cm)
Weight	132 lbs (60 kg)
To overflow:	
Water depth	15" (38.1 cm)
Capacity	78.5 gal (297 L)
* Approximate measurements for comparison only.	

Drop-in cut-out dimensions:	
70-1/2" (179.1 cm) x 40-1/2" (102.9 cm)	

Pump:	V	Hz	A
1-speed	120	60	7.5

Minimum access panel pump/control:	
20" (50.8 cm) W x 15" (38.1 cm) H	required

Required Electrical Service

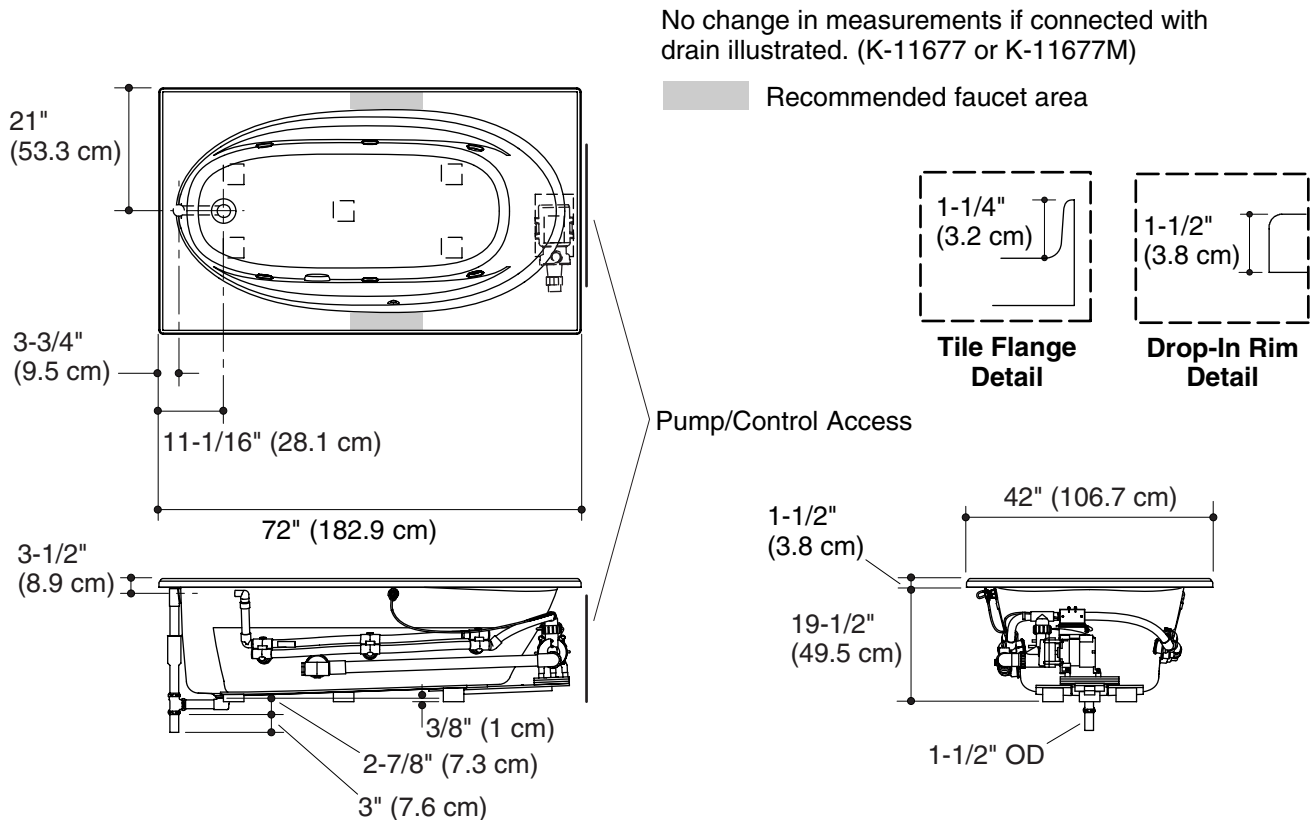
Dedicated circuit required, protected with a Class A Ground-Fault Circuit-Interrupter (GFCI):	
Pump/control	120 V, 15 A, 60 Hz
Locate the outlet behind the whirlpool and within 24" (61 cm) of the pump.	

Installation Notes

Install this product according to the installation guide.

Floor support under the whirlpool must provide for a minimum of 39 lbs/square foot (189 kg/square meter) loading.

If installing a rim-mount faucet, make sure there is no interference with the drain overflow and circulating system before drilling any holes. Consult local and national codes for minimum air gap requirements if installing a spout on the faucet deck.



Product Diagram