



Features

- End drain.
- Integral lumbar support and armrests for comfort.
- 72" (1829 mm) x 42" (1067 mm) x 21" (533 mm)

Material

- Acrylic

Hydrotherapy

- Pump with air switch for whirlpool.
- Single-speed whirlpool offers six fully adjustable hydro-massage jets for water flow and direction.

Installation

- Drop-in

Recommended Accessories

- K-7166-AF Bath Drain
- K-11677 Bath Drain
- K-24916 Wireless Music Kit
- K-1491 Bath/Whirlpool Pillow
- K-1601 Bath/Whirlpool Footstop
- K-7213 27" Cable Bath Drain
- K-7214 27" Cable Bath Drain
- K-7259 Clearflo Bath Drain
- K-37382 45" Rough-in Cable Bath Drain



Codes/Standards

- CSA B45.5/IAPMO Z124
- UL 1795
- CSA C22.2 No. 218.2
- Greenguard UL 2818 - Gold



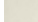
KOHLER® One-Year Limited Warranty

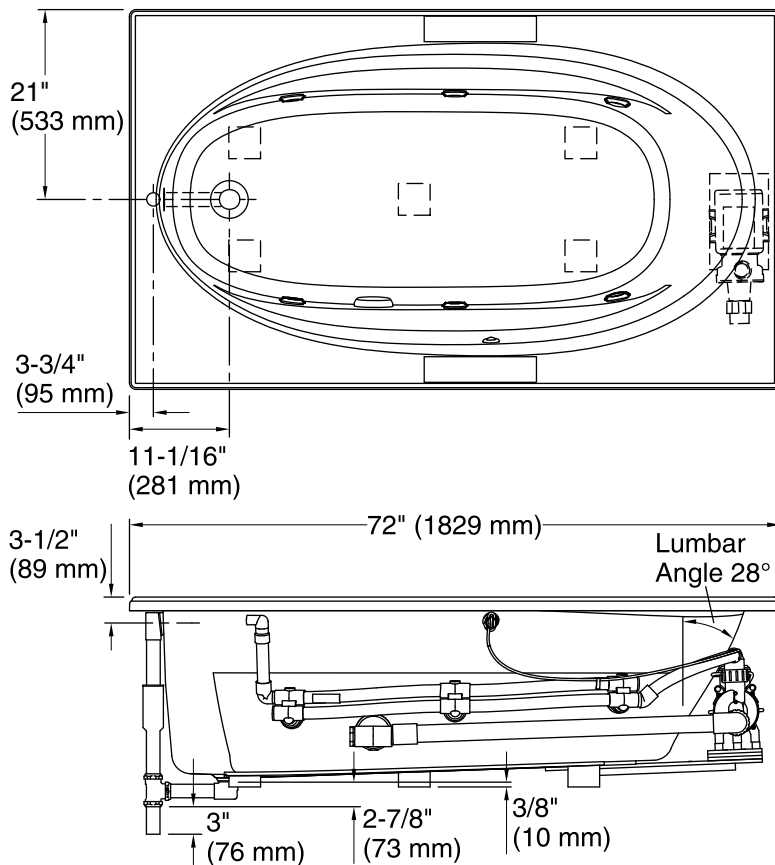
See website for detailed warranty information.

Available Color/Finishes

Color tiles intended for reference only.

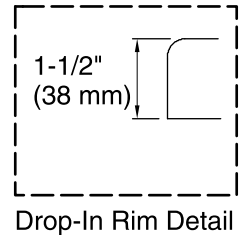
| Color | Code | Description |
|-------|------|-------------|
|-------|------|-------------|

| | | |
|--|----|---------|
|  | 0 | White |
|  | 96 | Biscuit |
|  | 47 | Almond |



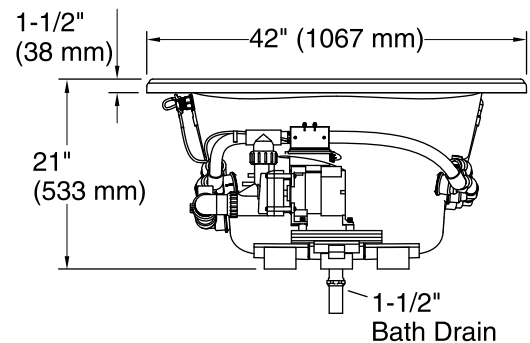
No change in measurements if connected with drain illustrated. (K-11677)

 Recommended Faucet Location



Drop-In Rim Detail

Pump/Control Access
20" (508 mm) W x 15" (381 mm) H Min



Required Electrical Service

One dedicated circuit required, protected with Class A Ground-Fault Circuit-Interrupter (GFCI) or Residual Current Device (RCD).

Pump: 120 V, 15 A, 60 Hz

Technical Information

All product dimensions are nominal.

Installation: Drop-in
 Drain location: End
 Basin area, bottom: 55" x 23-1/4" (1397 mm x 591 mm)
 Basin area, top: 64" x 32" (1626 mm x 813 mm)
 Weight: 132 lbs (59.9 kg)
 Minimum floor load: 39 lbs/ft² (190.4 kg/m²)
 Water depth: 15" (381 mm)
 Water capacity: 78.5 gal (297.2 L)
 Cutout: Drop-in, 70-1/2" x 40-1/2" (1791 mm x 1029 mm)
 Electrical component rating: Pump: 120 V, 7.5 A, 60 Hz
 Pump speed: Single
 Minimum flat for door: 3-1/16" (78 mm)

Notes

Measure your actual product for rough-in details.

Install this product according to the installation instructions.

The hot water supply should be 70% of the capacity of the bath or greater. Installations will vary.

Provide one grounded electrical outlet within 24" (610 mm) of each component.

If installing a rim-mount faucet, make sure there is no interference with the drain overflow and circulating system before drilling any holes. Consult local and national codes for minimum air gap requirements if installing a spout on the faucet deck.