

### Features

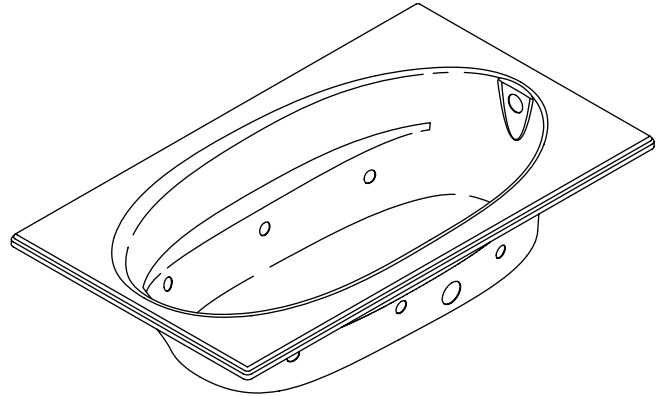
- Acrylic
- Rectangular shape
- Drop-in
- Pump with air switch and grounding-type plug-in cord
- 6 individually adjustable ProFlex® hydro-massage jets
- Molded lumbar supports and armrests
- In-line heater
- 72" (182.9 cm) x 42" (106.7 cm) x 21" (53.3 cm)

### Codes/Standards Applicable

Specified model meets or exceeds the following:

- ANSI Z124.1.2
- ASME A112.19.7M
- UL 1795

## BATH WHIRLPOOL WITH CUSTOM PUMP AND HEATER K-1114-HB



### Colors/Finishes

- 0: White
- Other: Refer to Price Book for additional colors/finishes

### Accessories

- CP: Polished Chrome
- Other: Refer to Price Book for additional colors/finishes

### Specified Model

Model	Description	Colors/Finishes	
K-1114-HB	Bath whirlpool with custom pump and heater	<input type="checkbox"/> 0	<input type="checkbox"/> Other _____
<b>Recommended Accessories</b>			
K-7166	Adjustable pop-up drain – above or through-the-floor installation <b>OR</b>	<input type="checkbox"/> CP	<input type="checkbox"/> Other _____
K-11677	Adjustable trip lever drain – through-the-floor installation	<input type="checkbox"/> CP	<input type="checkbox"/> Other _____
<b>Optional Accessories</b>			
K-9696	Jet trim kit (metal finishes)	<input type="checkbox"/> CP	<input type="checkbox"/> Other _____

### Product Specification

The rectangular acrylic bath whirlpool shall be 72" (182.9 cm) in length, 42" (106.7 cm) in width, and 21" (53.3 cm) in height. Bath whirlpool shall be drop-in. Bath whirlpool shall have 6 individually adjustable Proflex hydro-massage jets, a pump with air switch and grounding-type plug-in cord, and an in-line heater. Bath whirlpool shall have molded lumbar supports and armrests. Bath whirlpool shall be Kohler Model K-1114-HB-\_\_\_\_\_.

# WINDWARD®

## Technical Information

Fixture*:	
Bathing well:	
Basin area, bottom	55" (139.7 cm) x 23-1/4" (59.1 cm)
Basin area, top	64" 162.6 cm) x 32" (81.3 cm)
Weight	132 lbs (60 kg)
To overflow:	
Water depth	15" (38.1 cm)
Capacity	78.5 gal (297 L)
* Approximate measurements for comparison only.	

Drop-in cut-out dimensions:	
70-1/2" (179.1 cm) x 40-1/2" (102.9 cm)	

Pump:	V	Hz	A	
1-speed	120	60	7.5	
Heater:	kW	V	Hz	A
	1.5	120	60	12.5

Minimum access panel pump/control:	
20" (50.8 cm) W x 15" (38.1 cm) H	required

## Required Electrical Service (2 required)

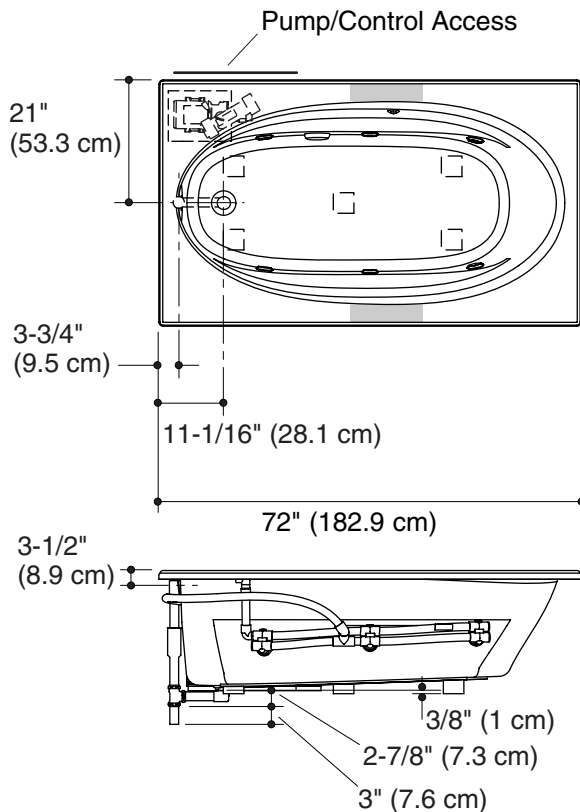
Two dedicated circuits required, both protected with a Class A Ground-Fault Circuit-Interrupter (GFCI):	
Pump/control	120 V, 15 A, 60 Hz
Heater	120 V, 15 A, 60 Hz
Locate the outlets behind the whirlpool and within 24" (61 cm) of the pump and, if supplied, heater.	

## Installation Notes

Install this product according to the installation guide.

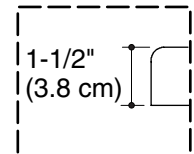
Floor support under the whirlpool must provide for a minimum of 39 lbs/square foot (189 kg/square meter) loading.

If installing a rim-mount faucet, make sure there is no interference with the drain overflow and circulating system before drilling any holes. Consult local and national codes for minimum air gap requirements if installing a spout on the faucet deck.

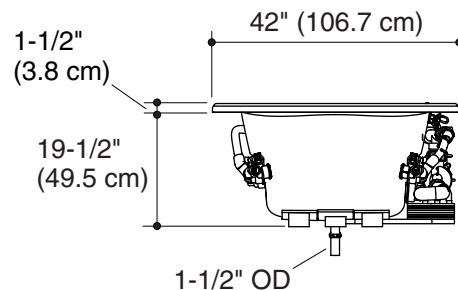


No change in measurements if connected with drain illustrated. (K-11677 or K-11677M)

 Recommended faucet area



**Drop-In Rim Detail**



## Product Diagram