

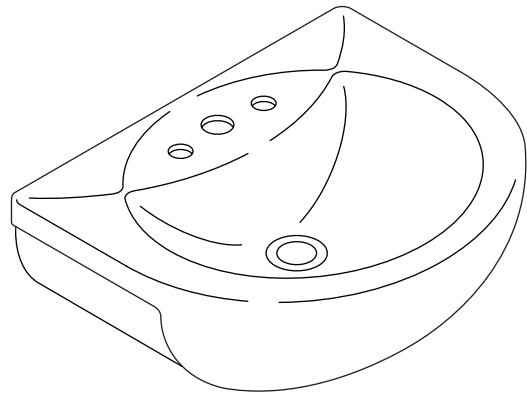
Features

- Vitreous china
- Semi-recessed installation
- With overflow
- 4" (10.2 cm) centers (-4) or single-hole (-1)
- 22" (55.9 cm) x 17-7/8" (45.4 cm) with 7-1/4" (18.4 cm) overhang

Codes/Standards Applicable

Specified model meets or exceeds the following:

- ASME A112.19.2
- IAPMO/UPC
- CSA International



Colors/Finishes

- 0: White

Accessories:

- CP: Polished Chrome

Specified Model

Model	Description	Colors/Finishes
K-11160-1	Lavatory, single-hole	<input type="checkbox"/> 0
K-11160-4	Lavatory, 4" (10.2 cm) centers	<input type="checkbox"/> 0
Recommended Accessories		
K-8998	P-Trap	<input type="checkbox"/> CP

Product Specification

The lavatory shall be 22" (55.9 cm) in length, 17-7/8" (45.4 cm) in width, with a 7-1/4" (18.4 cm) overhang. Lavatory shall be made of vitreous china. Lavatory shall have 4" (10.2 cm) centers (-4) or single-hole (-1). Lavatory shall include overflow. Lavatory shall be Kohler Model K-11160-_____-0.

ODEON®

Technical Information

Fixture*:	
Basin area	18-1/2" (47 cm) x 10" (25.4 cm)
Water depth	4" (10.2 cm)
Drain hole	1-3/4" (4.4 cm) D.
* Approximate measurements for comparison only.	

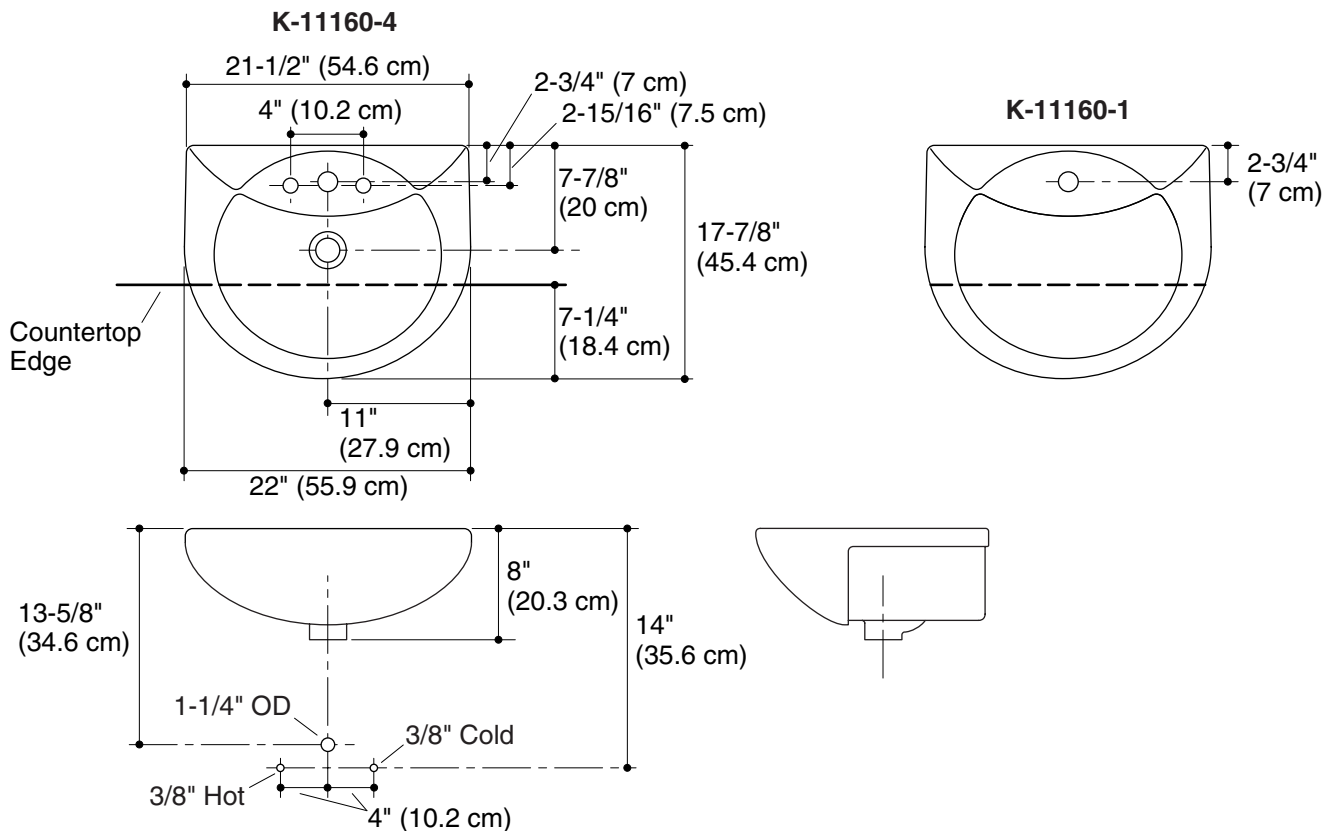
Holes	K-11160-1	K-11160-4
Spout	1-1/8" (2.9 cm) D.	1-1/4" (3.2 cm) D.
Faucet		1-1/4" (3.2 cm) D.
* Approximate measurements for comparison only.		

Included Components:	
Cut-out template	1054039-7

Installation Notes

Install this product according to the installation guide.

NOTICE: Countertop manufacturer or cutter **must** use the cutout template provided with the product, or a current one provided by Kohler Co. (call 1-800-4-KOHLER). Kohler Co. is not responsible for cutout errors when the incorrect cutout template is used.



Product Diagram