

### CAST IRON TOP AND BASIN LAVATORY K-3051

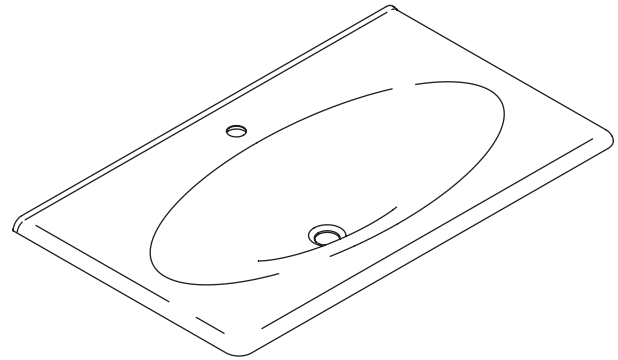
#### Features

- KOHLER cast iron
- Integrated top and basin
- Without overflow
- 8" (20.3 cm) centers (-8), 4" (10.2 cm) centers (-4), or single-hole (-1)
- 37-5/8" (95.6 cm) x 22-1/4" (56.5 cm)

#### Codes/Standards Applicable

Specified model meets or exceeds the following:

- A112.19.1/CSA B45.1



#### Colors/Finishes

- 0: White
- Other: Refer to Price Book for additional colors/finishes

#### Accessories

- CP: Polished Chrome
- Other: Refer to Price Book for additional colors/finishes

#### Specified Model

Model	Description	Colors/Finishes	
K-3051-1	Cast iron top and basin lavatory with single-hole	<input type="checkbox"/> 0	<input type="checkbox"/> Other _____
K-3051-4	Cast iron top and basin lavatory with 4" (10.2 cm) centers	<input type="checkbox"/> 0	<input type="checkbox"/> Other _____
K-3051-8	Cast iron top and basin lavatory with 8" (20.3 cm) centers	<input type="checkbox"/> 0	<input type="checkbox"/> Other _____

#### Recommended Vanity

K-2452	Vanity, 36" (91.4 cm) length	<input type="checkbox"/> F7	<input type="checkbox"/> F8		
K-2455	Vanity, 36" (91.4 cm) length			<input type="checkbox"/> F9	
K-2459	Vanity, 36" (91.4 cm) length				<input type="checkbox"/> F10

#### Recommended Accessories

K-9018	P-Trap	<input type="checkbox"/> CP	<input type="checkbox"/> Other _____
--------	--------	-----------------------------	--------------------------------------

#### Product Specification

The cast iron lavatory shall be 37-5/8" (95.6 cm) in length and 22-1/4" (56.5 cm) in width. Lavatory shall have integrated top and basin. Lavatory shall be without overflow. Lavatory shall be available with 8" (20.3 cm) centers (-8), 4" (10.2 cm) centers (-4), or single-hole (-1). Lavatory shall be Kohler Model K-3051-\_\_\_\_-\_\_\_\_.

# IRON/IMPRESSIONS®

## Technical Information

Fixture*:	
Basin area	32" (81.3 cm) x 13-7/8" (35.2 cm)
Water depth	4-1/2" (11.4 cm)
Drain hole	1-3/4" (4.4 cm) D.
* Approximate measurements for comparison only.	

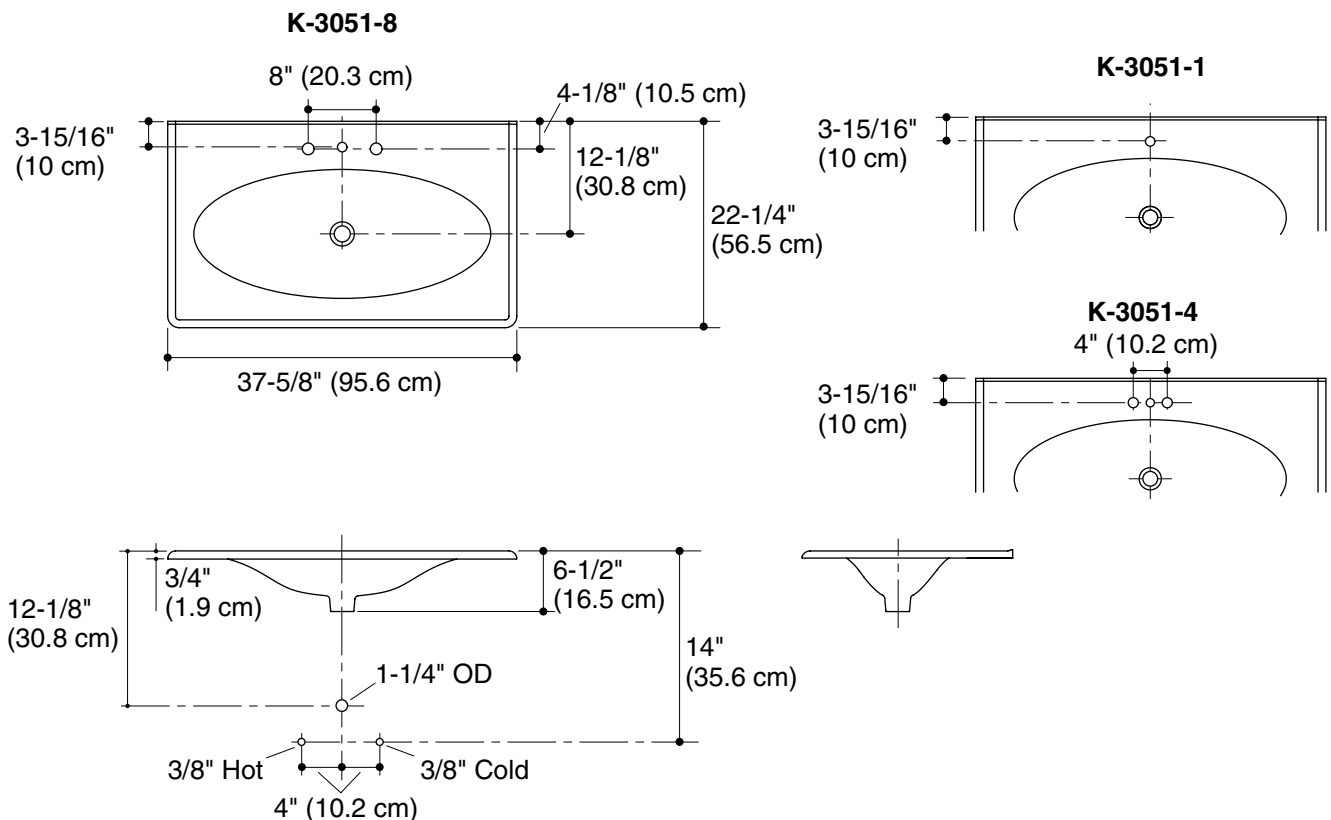
Holes	K-3051-1	K-3051-4	K-3051-8
Spout	1-3/8" (3.5 cm)	1-1/8" (2.9 cm)	1-1/8" (2.9 cm)
Faucet		1-3/16" (3 cm)	1-3/8" (3.5 cm)

## Installation Notes

**NOTE:** When selecting a faucet for this lavatory, ensure the faucet has a spout reach of 4-1/2" (11.4 cm) to 5" (12.7 cm) **and** has a spout height of 3" (7.6 cm) to 6" (15.2 cm).

Install this product according to the installation guide.

Product does not have an overflow.



## Product Diagram

IRON/IMPRESSIONS® CAST IRON TOP AND BASIN LAVATORY

Page 2 of 2  
1049894-4-E

THE BOLD LOOK  
OF **KOHLER**®