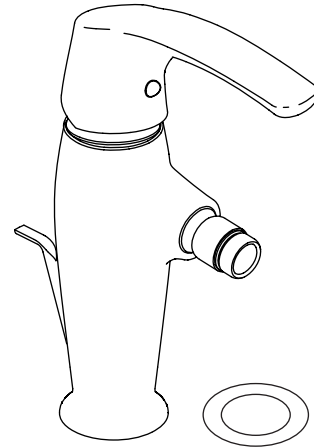


**BIDET FAUCET  
K-19481**

**ADA**

**Features**

- Brass construction
- One-piece, self-contained ceramic disc valve allows both volume and temperature control
- Temperature memory allows faucet to be turned on and off at any temperature setting
- High-temperature limit stop for added safety
- 2.2 gpm (8.3 lpm)
- Lower flow aerator options are available (refer to the Kohler Price Book)
- Single-hole mounting
- Lever handle
- Flexible connections for easy installation
- Includes pop-up drain
- 3-7/16" (8.7 cm) spout length



**Codes/Standards Applicable**

Specified model meets or exceeds the following:

- ASME A112.18.1
- IAPMO/UPC
- CSA B125
- NSF 61
- ADA

**Colors/Finishes**

- CP: Polished Chrome
- Other: Refer to Price Book for additional colors/finishes

**Specified Model**

Model	Description	Colors/Finishes	
K-19481	Bidet faucet	<input type="checkbox"/> CP	<input type="checkbox"/> Other _____

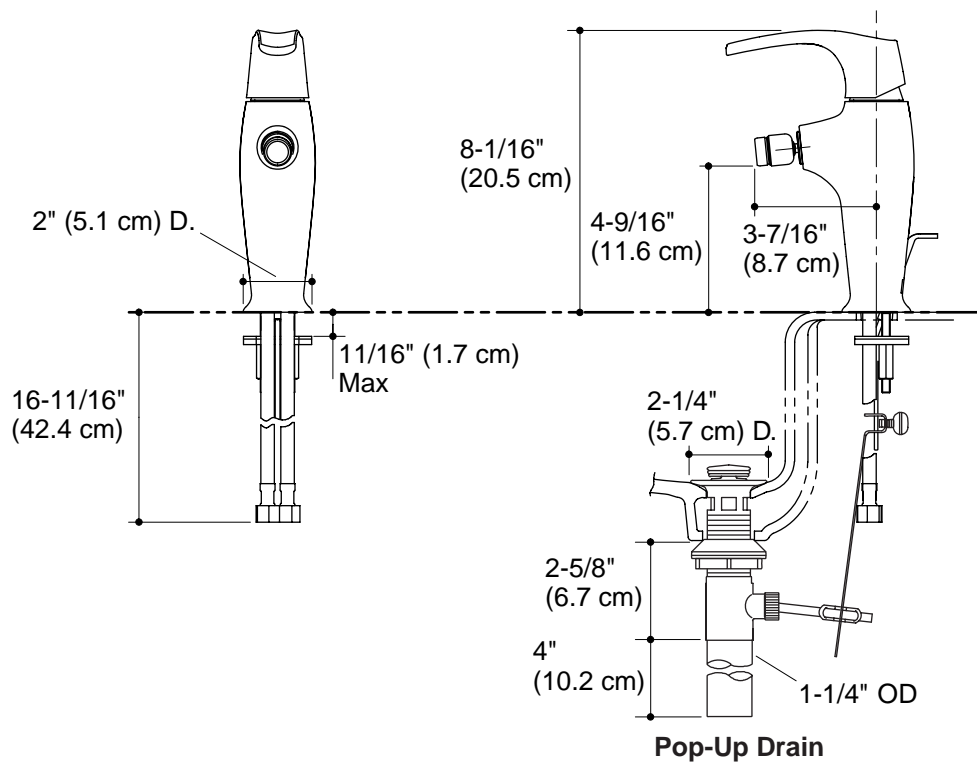
**Product Specification**

Single-control bidet faucet shall be of brass construction. Product shall have a one-piece, self-contained ceramic disc valve, allowing volume and temperature control. Product shall feature temperature memory, allowing the faucet to be turned on and off at any temperature setting. Product shall feature a high-temperature limit stop. Product shall feature single-hole mounting. Product shall have a 2.2 gallon (8.3 liter) per minute flow rate and 3-7/16" (8.7 cm) spout length. Product shall have lower flow aerator options available. Product shall include flexible connections for easy installation, lever handle, and pop-up drain. Faucet shall be Kohler Model K-19481-\_\_\_\_\_.

# SYMBOL™

## Installation Notes

Install this product according to the installation guide.



## Product Diagram