

Features

- KOHLER finishes resist corrosion and tarnish.
- 36- inch bar.
- Wide 1-1/4- inch handle for a comfortable grip.
- Traditional styling matches any decor.
- ADA compliant when installed per ADA guidelines.
- 38-13/16" (986 mm) x 2-3/4" (70 mm) x 2-13/16" (71 mm)

Material

- Premium metal construction.

Components

Additional included component/s: Installation hardware.



ADA

CSA B651

OBC

Codes/Standards

ADA
ICC/ANSI A117.1
CSA B651
OBC

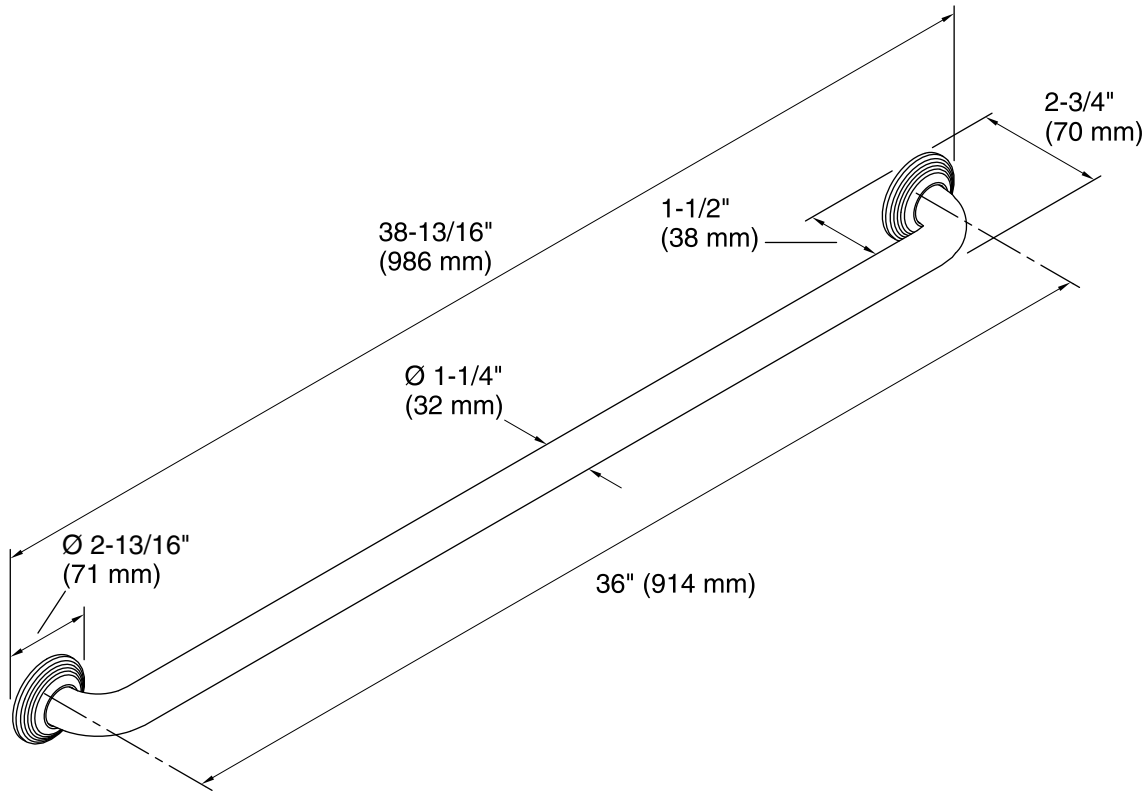
KOHLER® Faucet Lifetime Limited Warranty

See website for detailed warranty information.

Available Color/Finishes

Color tiles intended for reference only.

Color	Code	Description
	S	Polished Stainless
	SN	Vibrant® Polished Nickel
	AF	Vibrant® French Gold
	BN	Vibrant® Brushed Nickel
	BS	Brushed Stainless
	BV	Vibrant® Brushed Bronze
	2BZ	Oil-Rubbed Bronze
	VNT	Vintage Nickel



Technical Information

All product dimensions are nominal.

Notes

Measure your actual product for roughing-in details.

WARNING: Risk of personal injury. The wall plates on the grab bar must be mounted to a brace between the wall studs. This will ensure that the weight of the user is adequately supported.

ADA, OBC, CSA B651 compliant when installed to the specific requirements of these regulations.