

CAST IRON TOP AND BASIN LAVATORY **K-3049**

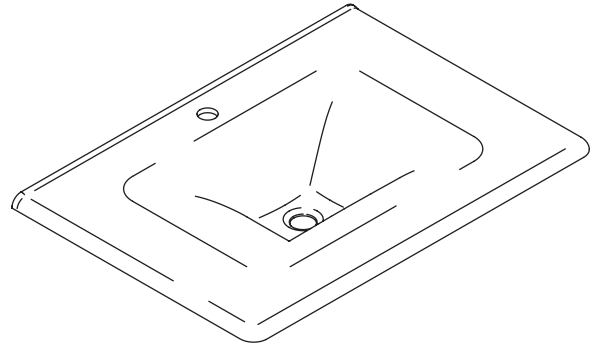
Features

- KOHLER cast iron
- Integrated top and basin
- Without overflow
- 8" (20.3 cm) centers (-8), 4" (10.2 cm) centers (-4), or single-hole (-1)
- 31-5/8" (80.3 cm) x 22-1/4" (56.5 cm)

Codes/Standards Applicable

Specified model meets or exceeds the following:

- ASME A112.19.1/CSA B45.2



Colors/Finishes

- 0: White
- Other: Refer to Price Book for additional colors/finishes

Specified Model

Model	Description	Colors/Finishes	
K-3049-1	Cast iron top and basin lavatory with single-hole	<input type="checkbox"/> 0	<input type="checkbox"/> Other_____
K-3049-4	Cast iron top and basin lavatory with 4" (10.2 cm) centers	<input type="checkbox"/> 0	<input type="checkbox"/> Other_____
K-3049-8	Cast iron top and basin lavatory with 8" (20.3 cm) centers	<input type="checkbox"/> 0	<input type="checkbox"/> Other_____

Recommended Vanity			
K-2454	Vanity, 30" (76.2 cm) length	<input type="checkbox"/> F9	
K-6890	Cattails™ cast iron console table		<input type="checkbox"/> NA
K-6898	Lotus Pool™ cast iron console table		<input type="checkbox"/> NA

Recommended Accessories			
K-9018	P-Trap	<input type="checkbox"/> CP	<input type="checkbox"/> Other_____

Product Specification

The cast iron lavatory shall be 31-5/8" (80.3 cm) in length and 22-1/4" (56.5 cm) in width. Lavatory shall have integrated top and basin. Lavatory shall be without overflow. Lavatory shall be available with 8" (20.3 cm) centers (-8), 4" (10.2 cm) centers (-4), or single-hole (-1). Lavatory shall be Kohler Model K-3049-____-____.

IRON/IMPRESSIONS®

Technical Information

Fixture*:	
Basin area	20-7/8" (53 cm) x 14-1/2" (36.8 cm)
Water depth	4" (10.2 cm)
Drain hole	1-3/4" (4.4 cm) D.
* Approximate measurements for comparison only.	

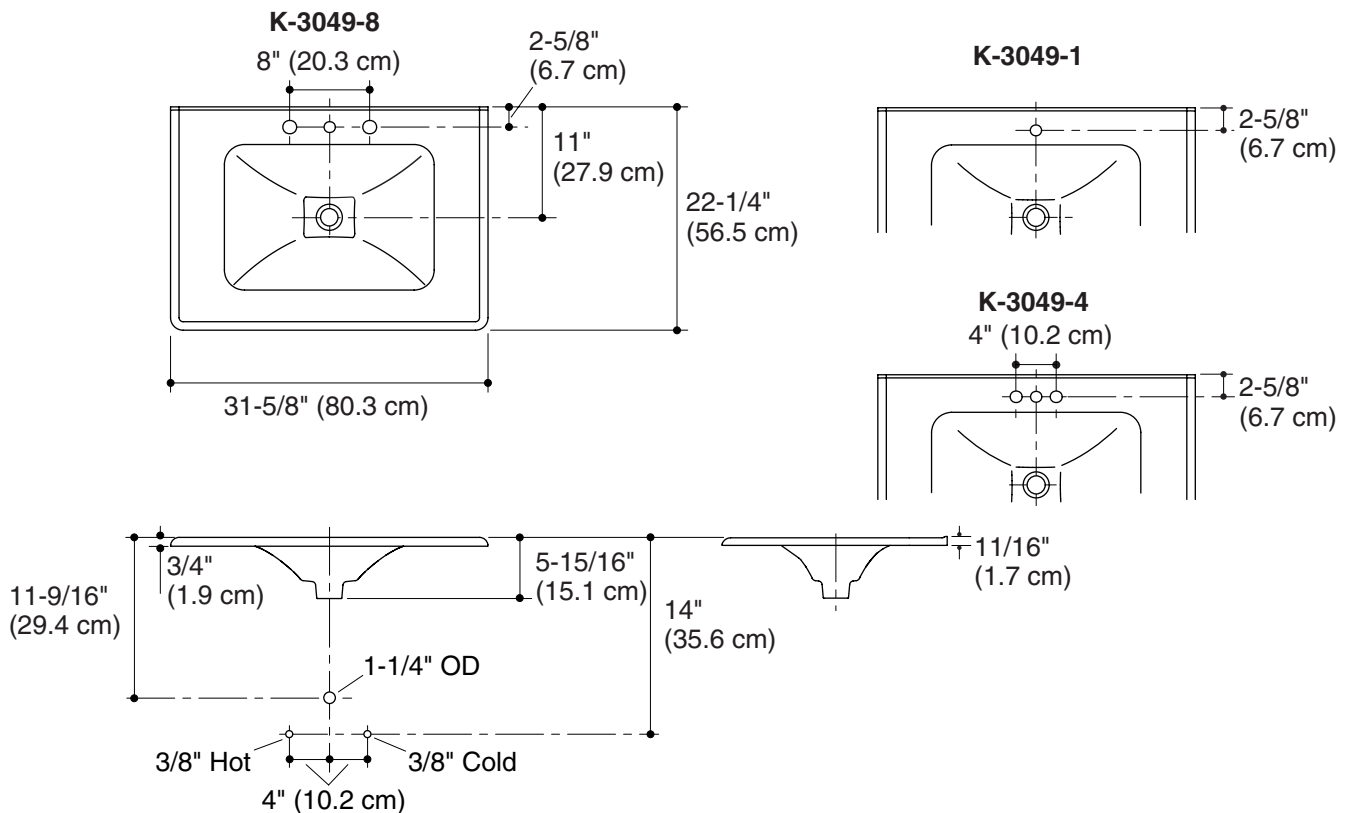
Holes	K-3049-1	K-3049-4	K-3049-8
Spout	1-3/8" (3.5 cm)	1-1/8" (2.9 cm)	1-1/8" (2.9 cm)
Faucet		1-3/16" (3 cm)	1-3/8" (3.5 cm)

Installation Notes

NOTE: When selecting a faucet for this lavatory, ensure the faucet has a spout reach of 4-1/2" (11.4 cm) to 5" (12.7 cm) **and** has a spout height of 3" (7.6 cm) to 6" (15.2 cm).

Install this product according to the installation guide.

Product does not have an overflow.



Product Diagram

IRON/IMPRESSIONS® CAST IRON TOP AND BASIN LAVATORY

Page 2 of 2
1049893-4-F

THE BOLD LOOK
OF **KOHLER**®