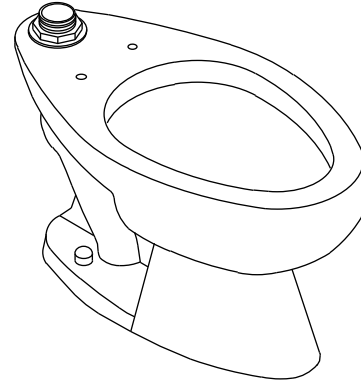


### Features

- Vitreous china
- Elongated bowl
- With bedpan lugs (-L)
- 10" (254 mm) or 12" (305 mm) rough-in
- 1-1/2" top spud
- 2-1/4" (57 mm) passageway
- 11" (279 mm) x 9" (229 mm) water area
- 1.28 gpf (4.8 lpf)
- 28-1/4" (718 mm) x 14-7/8" (378 mm) x 15" (381 mm)

### HIGH EFFICIENCY BOWL K-4406



### Codes/Standards Applicable

Specified model meets or exceeds the following:

- ASME A112.19.2/CSA B45.1
- Energy Policy Act of 2005

### Colors/Finishes

- 0: White
- CP: Polished Chrome
- Other: Refer to Price Book for additional colors/finishes

### Specified Model

Model	Description	Colors/Finishes	
K-4406	Bowl – elongated	<input type="checkbox"/> 0	<input type="checkbox"/> Other_____
K-4406-L	Bowl – elongated, with bedpan lugs	<input type="checkbox"/> 0	<input type="checkbox"/> Other_____

Recommended Accessories			
K-4654	Lustra™ open front seat with support arms and cover	<input type="checkbox"/> 0	
K-4654-A	Lustra open front seat with support arms and cover (with anti-microbial agent)	<input type="checkbox"/> 0	
K-4670-CA	Lustra open front seat (with anti-microbial agent)	<input type="checkbox"/> 0	
K-4731-C	Open front seat with check hinge	<input type="checkbox"/> 0	<input type="checkbox"/> Other_____
K-4731-SC	Open front seat with self-sustaining check hinge	<input type="checkbox"/> 0	<input type="checkbox"/> Other_____
K-10673	WAVE exposed toilet flushometer – 1.28 gpf (4.8 lpf)		<input type="checkbox"/> CP
K-10956	Touchless DC toilet flushometer – 1.28 gpf (4.8 lpf)		<input type="checkbox"/> CP
K-13517	Manual toilet flushometer – 1.28 gpf (4.8 lpf)		<input type="checkbox"/> CP

### Product Specification

The elongated bowl shall be made of vitreous china. Bowl shall be 28-1/4" (718 mm) long, 14-7/8" (378 mm) wide, and 15" (381 mm) high. Toilet shall have a 10" (254 mm) or 12" (305 mm) rough-in with 1-1/2" top spud. Bowl shall be 1.28 gpf (4.8 lpf). Bowl shall have 11" (279 mm) x 9" (229 mm) water area. Bowl shall have 2-1/4" (57 mm) passageway. Bowl shall have bedpan lugs (-L). Bowl shall be Kohler Model K-4406-\_\_\_\_\_ or K-4406-L-\_\_\_\_\_.

# WELLWORTH®

## Technical Information

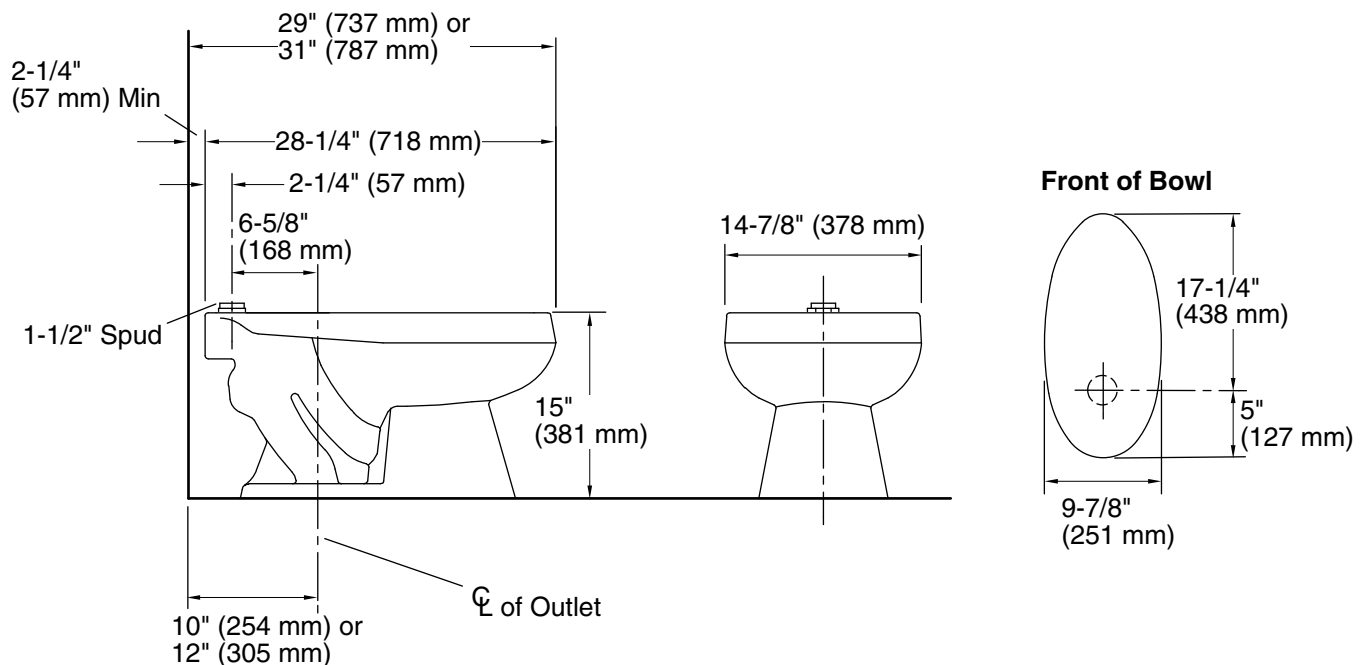
Fixture:	
Configuration	Top spud, elongated
Water per flush	1.28 gallons (4.8 L)*
Spud size	1-1/2" (38 mm)
Passageway	2-1/4" (57 mm)
Water area	11" (279 mm) x 9" (229 mm)
Water depth from rim	6" (152 mm)
Seat post hole centers	5-1/2" (14 cm)
Minimum static pressure required	35 psi (241.3 kPa)
Maximum static pressure	80 psi (551.6 kPa)
Minimum flowing pressure required	25 psi (172.4 kPa)
Required supply minimum	25 gpm (94.6 lpm)
* Designed to flush with 1.28 gallons (4.8 L) of water when installed with a 1.28 gpf (4.8 lpf) flushometer.	

### Included Components:

Spud	18357
Bolt cap accessory pack	1013092
Flushometer requirements: For 12" (305 mm) rough-in, sweat extension nipple is required. Refer to manufacturer and local codes.	

## Installation Notes

Install this product according to the installation guide.



## Product Diagram