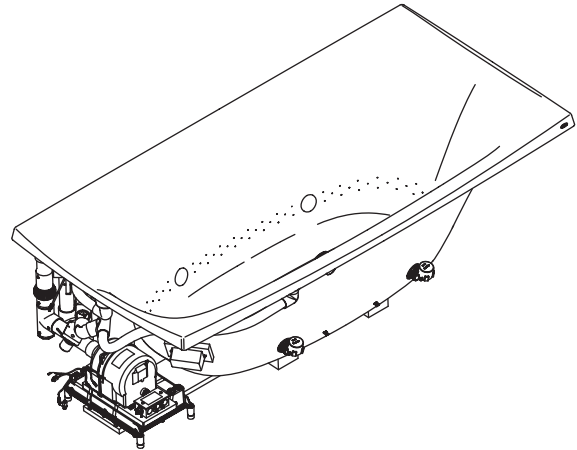


### Features

- Acrylic
- Zones of Control™ concentrates massage at back, midsection, or feet
- 122 BubbleMassage™ airjets
- Blower motor with 300 W heater, and electronic user control
- Back-lit user controls
- Complements the Escale Suite
- 71-5/8" (181.9 cm) x 35-5/8" (90.5 cm) x 24-1/8" (61.3 cm)

### BUBBLEMASSAGE™ BATH K-11343-GCR ALSO K-11343-G



### Codes/Standards Applicable

Specified model meets or exceeds the following:

- IAPMO IGC 171
- ASME A112.19.7M
- ANSI Z124.1.2
- UL 1795

### Colors/Finishes

- 0: White
- Other: Refer to Price Book for additional colors/finishes

### Accessories

- CP: Polished Chrome
- Other: Refer to Price Book for additional colors/finishes

### Specified Model

Model	Description	Colors/Finishes	
K-11343-G	BubbleMassage bath – without chromatherapy	<input type="checkbox"/> 0	<input type="checkbox"/> Other _____
K-11343-GCR	BubbleMassage bath – with chromatherapy	<input type="checkbox"/> 0	<input type="checkbox"/> Other _____

#### Recommended Accessories\*

K-7214	Bath drain <b>OR</b>	<input type="checkbox"/> CP	<input type="checkbox"/> Other _____
K-7219	Bath drain	<input type="checkbox"/> CP	<input type="checkbox"/> Other _____
K-18486	Symbol™ Roman bath filler with handshower	<input type="checkbox"/> CP	<input type="checkbox"/> Other _____

\*Refer to the Kohler Price Book for additional bath faucet options.

#### Optional Accessories (continued on Page 2)

K-1601	Footstop	<input type="checkbox"/> 0	<input type="checkbox"/> Other _____
K-1676	Pillow	<input type="checkbox"/> 0	<input type="checkbox"/> Other _____
K-1705	Remote control	<input type="checkbox"/> NA	<input type="checkbox"/> Other _____

### Product Specification

The acrylic bath shall be 71-5/8" (181.9 cm) in length, 35-5/8" (90.5 cm) in width, and 24-1/8" (61.3 cm) in height. Bath shall feature 122 BubbleMassage airjets, a blower motor with 300 W heater, and back-lit user control. Bath shall feature Zones of Control™, allowing bathers to change the massage location. Bath shall complement the Escale Suite. Bath shall be Kohler Model K-11343-\_\_\_\_\_-\_\_\_\_\_.

# ESCALE®

## Optional Accessories (continued from Page 1)

K-9498	3" (7.6 cm) whirlpool keypad trim	<input type="checkbox"/> CP	<input type="checkbox"/> Other_____
--------	-----------------------------------	-----------------------------	-------------------------------------

## Technical Information

Fixture*:				
Bathing well:				
Basin area	46-3/4" (118.7 cm) x 21-5/8" (54.9 cm)			
Top area	69-15/16" (177.6 cm) x 34-3/8" (87.3 cm)			
Weight	130 lbs (59 kg)			
To overflow:				
Water depth	16-1/2" (42.1 cm)			
Capacity	71 gal (268.8 L)			
* Approximate measurements for comparison only.				
Blower motor/control:	W	V	Hz	A
	300	220-240	50/60	3
Included component:				
Cut-out template	1054544-7			

## Required Electrical Service

Dedicated circuit required, protected with Class A Ground-Fault Circuit-Interrupter (GFCI) or Residual Current Device (RCD):

Blower motor/control	220-240 V, 15 A, 50/60 Hz
----------------------	---------------------------

## Installation Notes

Install this product according to the installation guide.

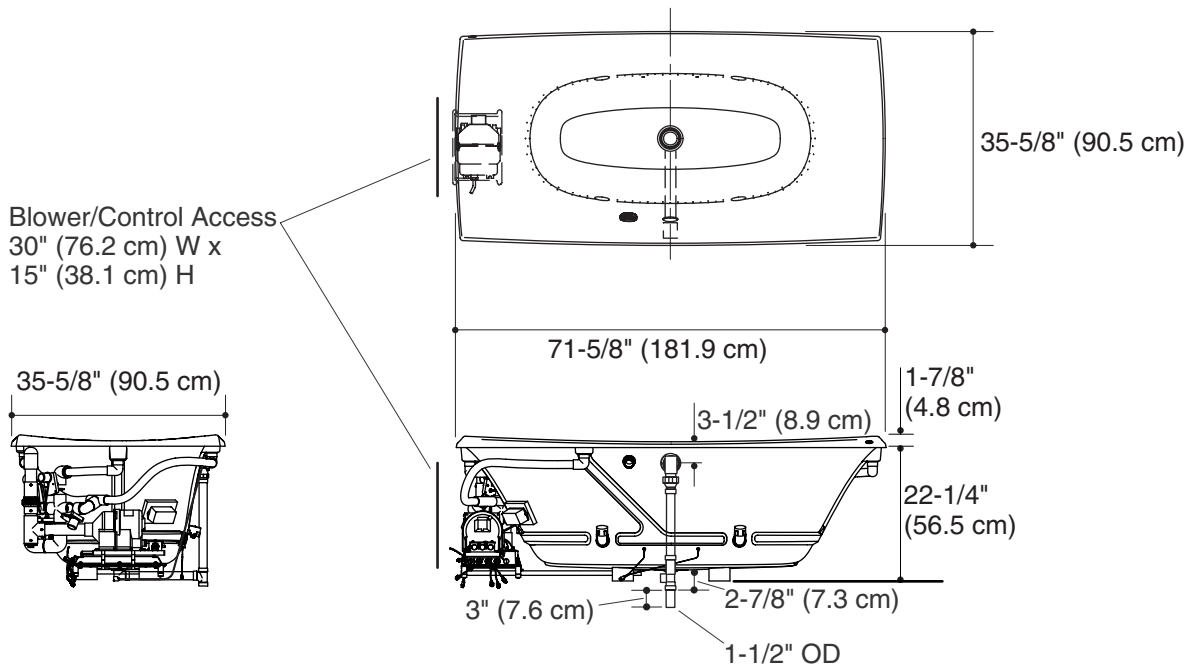
Floor support under whirlpool must provide for a minimum of 42 lbs/square foot (206 kg/square meter) loading.

Hot water supply should be 70% of capacity or greater. Installations will vary.

This bath is designed for drop-in installation only. It is not suited for use in a three wall alcove with an overhead shower.

A blower motor/control access panel is required.

No change in measurements if connected with drain illustrated. (K-7214)



## Product Diagram