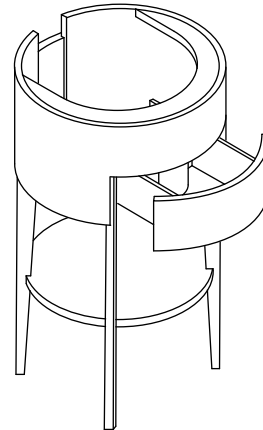


### Features

- Select hard maple, both solids and veneers
- Includes a drawer for storage
- Designed for Camber™ bathroom sink
- 20-5/8" (524 mm) diameter x 34" (864 mm) high

### TABLE K-3002



### Codes/Standards Applicable

Specified model meets or exceeds the following:

- CARB P2

### Colors/Finishes

- F2: Black Forest
- F3: Natural Maple
- F25: Sapele

### Accessories:

- 0: White
- Other: Refer to Price Book for additional colors/finishes

### Specified Model

Model	Description	Colors/Finishes		
K-3002	Table	<input type="checkbox"/> F2	<input type="checkbox"/> F3	<input type="checkbox"/> F25
<b>Required Lavatory:</b>				
K-2282	Bathroom sink with no holes	<input type="checkbox"/> 0	<input type="checkbox"/> Other_____	
K-2282-1	Bathroom sink with single hole	<input type="checkbox"/> 0	<input type="checkbox"/> Other_____	
K-2282-10	Bathroom sink with 10" (250 mm) centers	<input type="checkbox"/> 0	<input type="checkbox"/> Other_____	

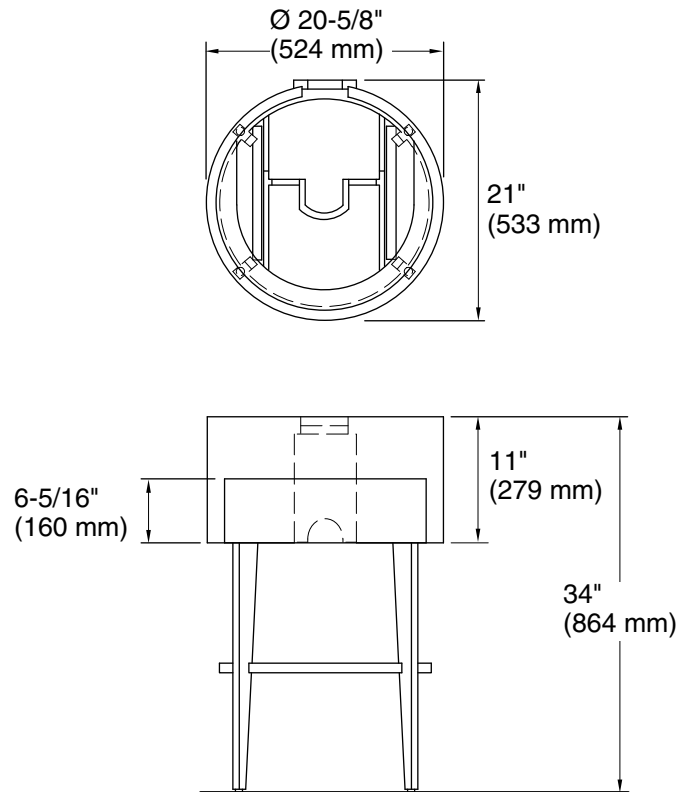
### Product Specification

The table shall be made of hard select maple and veneers. Table shall include a drawer for storage. Table shall be made for Camber bathroom sink. Table shall be 20-5/8" (524 mm) diameter x 34" (864 mm) in height. Table shall be Kohler Model K-3002-\_\_\_\_\_.

# CAMBER™

## Installation Notes

Install this product according to the installation guide.



Product Diagram