

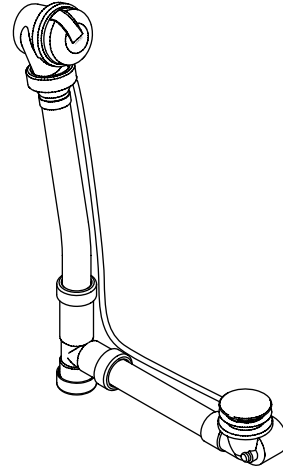
**Features**

- Adjustable trip lever pop-up drain
- 1-1/2" connection
- Brass tailpiece
- 17 gauge brass construction
- For use with Escalé™ baths

**Codes/Standards Applicable**

Specified model meets or exceeds the following:

- ASME A112.18.2
- CSA B125
- IAPMO/UPC



**Colors/Finishes**

- CP: Polished Chrome
- Other: Refer to Price Book for additional colors/finishes

**Specified Model:**

Model	Description	Colors/Finishes	
K-7219	Bath drain	<input type="checkbox"/> CP	<input type="checkbox"/> Other_____

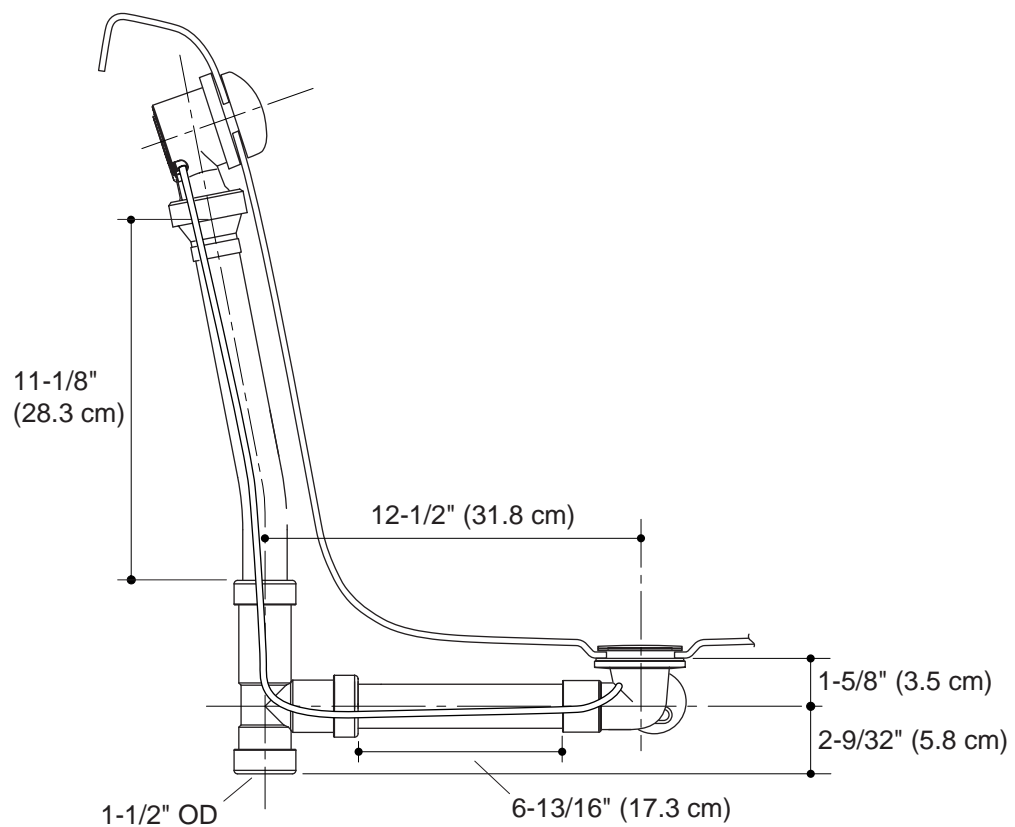
**PRODUCT SPECIFICATION**

Bath drain shall be made of 17 gauge brass construction. Product includes an adjustable trip lever pop-up drain with 1-1/2" connection, and brass tailpiece. Product shall be for use with Escalé baths. Product shall be Kohler Model K-7219-\_\_\_\_\_.

# ESCALE™

## Installation Notes

Install this product according to the installation guide.



**Product Diagram**