

**Features**

- Brass construction
- Available with cross or lever handles
- Front seal plate assembly
- Handle assembly
- Complements Margaux™ Suite

**THERMOSTATIC FAUCET TRIM**

**K-T16239**

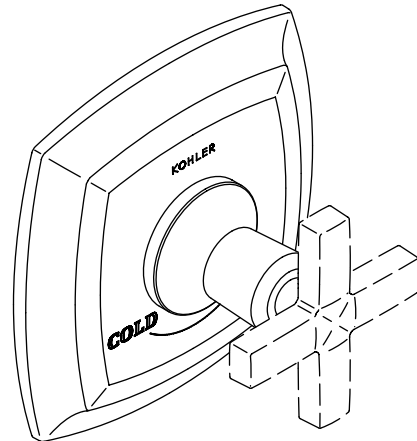
**ALSO K-T16241, K-T16242**

**ADA**

**Codes/Standards Applicable**

Specified model meets or exceeds the following:

- ADA
- ASME A112.18.1/CSA B125.1
- ICC/ANSI A117.1



**Colors/Finishes**

- CP: Polished Chrome
- Other: Refer to Price Book for additional colors/finishes

**Accessories:**

- NA: None applicable

**Specified Model**

Model	Description	Colors/Finishes	
K-T16239-3	Thermostatic valve trim, cross handle	<input type="checkbox"/> CP	<input type="checkbox"/> Other ____
K-T16239-4	Thermostatic valve trim, lever handle	<input type="checkbox"/> CP	<input type="checkbox"/> Other ____
K-T16241-3	Volume control trim, cross handle	<input type="checkbox"/> CP	<input type="checkbox"/> Other ____
K-T16241-4	Volume control trim, lever handle	<input type="checkbox"/> CP	<input type="checkbox"/> Other ____
K-T16242-3	Transfer valve trim, cross handle	<input type="checkbox"/> CP	<input type="checkbox"/> Other ____
K-T16242-4	Transfer valve trim, lever handle	<input type="checkbox"/> CP	<input type="checkbox"/> Other ____

For complete faucet, both faucet trim and valving must be specified.

Required Accessories*		
K-669-KS	3/4" thermostatic valve	<input type="checkbox"/> NA
K-671-K	3/4" volume control	<input type="checkbox"/> NA
K-679-KS	1/2" thermostatic valve	<input type="checkbox"/> NA
K-681-K	1/2" volume control	<input type="checkbox"/> NA
K-728-K	3/4" transfer valve	<input type="checkbox"/> NA

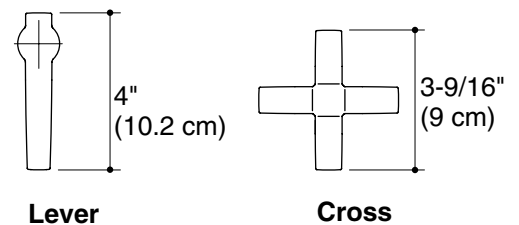
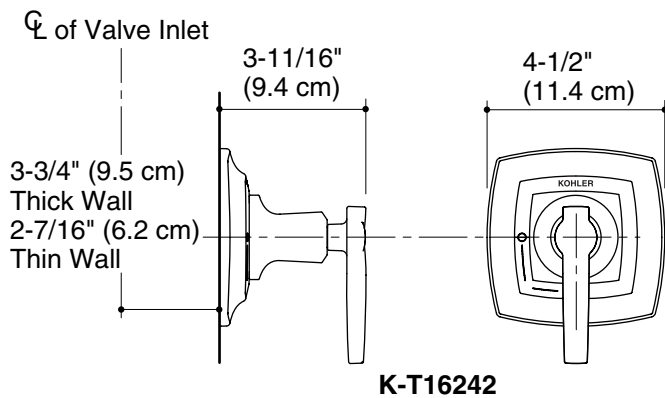
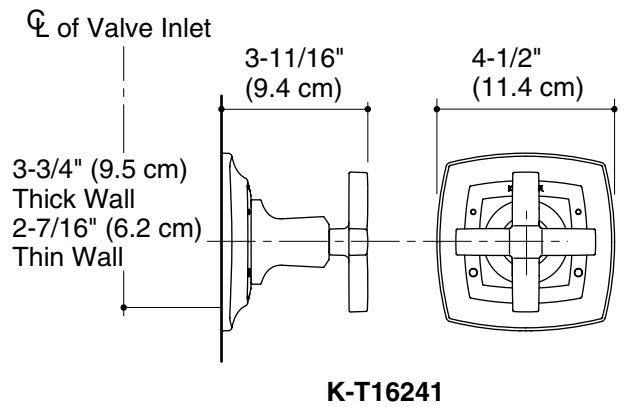
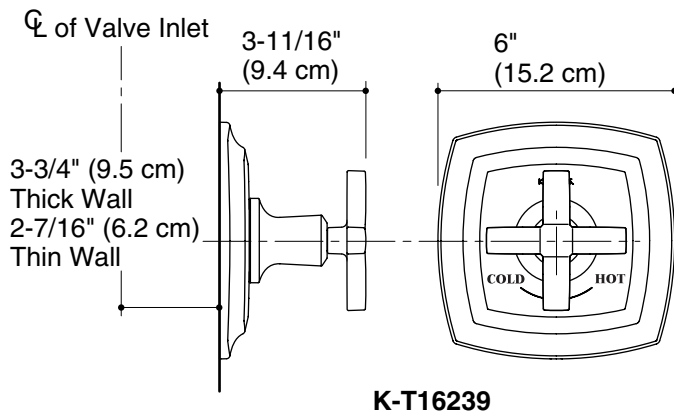
**Product Specification**

Thermostatic faucet trim shall be of brass construction. Trim shall include front seal plate assembly and handle assembly. Faucet trim shall be available with cross or lever handles. Thermostatic faucet trim shall complement the Margaux Suite. Faucet trim shall be Kohler Model K-T\_\_\_\_-\_\_\_\_-\_\_\_\_ and thermostatic valving shall be K-\_\_\_\_-\_\_\_\_-NA.

# MARGAUX™

## Installation Notes

Install this product according to the installation guide.



## Product Diagram