

# STERLING®

A KOHLER COMPANY

## ENSEMBLE™

### 60" (152.4 cm) SHOWER BASE AND SURROUND WITH BACKER BOARDS 72230106



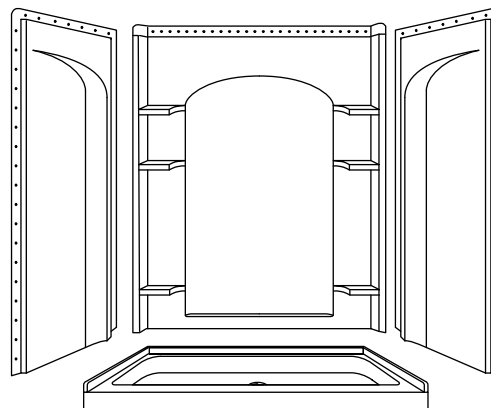
#### Features

- Compression molded from our exclusive solid Vikrell® material
- Tongue-and-groove 4-piece modular design allows for easy "snap together" installation
- Durable high-gloss finish
- 10-year consumer/3-year commercial limited warranty
- Convenient shelves provide generous storage
- Shaving ledge and foot rest added for comfort
- Wall surround allows for attachment of grab bars
- 60" (152.4 cm) x 35-1/4" (89.5 cm) x 77" (195.6 cm) complete unit rough-in dimensions include nailing flange
- 60" (152.4 cm) x 34" (86.4 cm) x 75-3/4" (192.4 cm) complete unit finished dimensions

#### Codes/Standards Applicable

Specified model meets or exceeds the following:

- ASTM E162
- ASTM E662
- CSA B45.5/IAPMO Z124



#### Colors/Finishes

- 0: White
- Other: Refer to Price Book for additional colors/finishes

#### Specified Model

Model	Complete Unit Description	Colors/Finishes	
72230106	60" (152.4 cm) shower base and curve wall surrounds with backer boards	<input type="checkbox"/> 0	<input type="checkbox"/> Other_____
Model	Wall Component Description	Colors/Finishes	
72232106	Back wall with backer boards	<input type="checkbox"/> 0	<input type="checkbox"/> Other_____
72205106	End wall with backer boards	<input type="checkbox"/> 0	<input type="checkbox"/> Other_____

# ENSEMBLE™

## Technical Information

Model	Door maximum width	Door maximum height
72230106	56-5/8" (143.8 cm)	70-1/2" (179.1 cm)

## Installation Notes

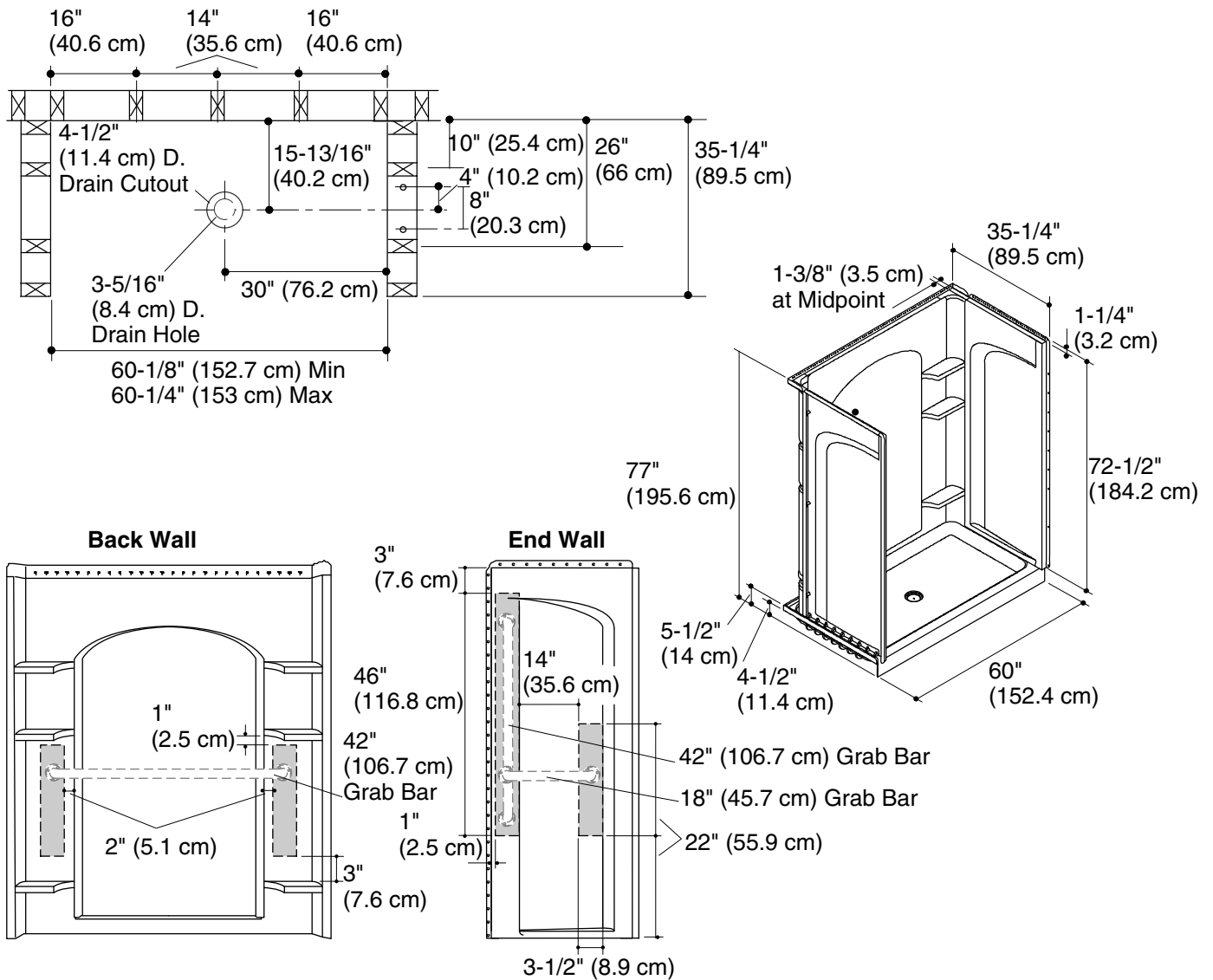
Install this product according to the installation guide.

Size the drain cutout to fit the drain assembly that will be used.

Double studding is recommended for pivot shower door installations.

Studs should be positioned roughly as shown.

Attach grab bars at the specified backer board locations only.



**Note:** Right and left end walls are the same, only mirrored.

Backer board locations

## Product Diagram