

STERLING®

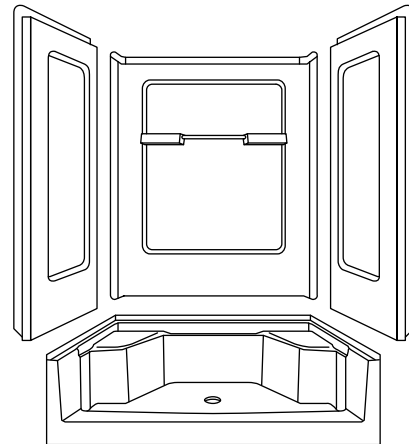
A KOHLER COMPANY

ADVANTAGE™

Features

- Compression molded from our exclusive solid Vikrell® material
- Tongue-and-groove "snap together" design
- Durable swirl-gloss finish
- 10-year consumer/3-year commercial limited warranty
- Backer boards allow for attachment of grab bars
- 48" (121.9 cm) x 35-1/4" (89.5 cm) x 73-1/4" (186.1 cm) complete unit rough-in dimensions include flange
- 48" (121.9 cm) x 33-3/4" (85.7 cm) x 72" (182.9 cm) complete unit finished dimensions

48" (121.9 cm) SEATED BASE, WALL SURROUND & BACKER BOARDS 62030106



Codes/Standards Applicable

Specified model meets or exceeds the following:

- ASTM E162
- ASTM E662
- CSA B45.5/IAPMO Z124

Colors/Finishes

- 0: White
- Other: Refer to Price Book for additional colors/finishes

Specified Model

Model	Complete Unit Description	Colors/Finishes	
62030106	48" (121.9 cm) seated shower base and wall surround with backer boards	<input type="checkbox"/> 0	<input type="checkbox"/> Other_____
Model	Component Description	Colors/Finishes	
62031100	48" (121.9 cm) seated shower base only	<input type="checkbox"/> 0	<input type="checkbox"/> Other_____
Model	Wall Component Description	Colors/Finishes	
62034106	Complete wall set with backer boards	<input type="checkbox"/> 0	<input type="checkbox"/> Other_____

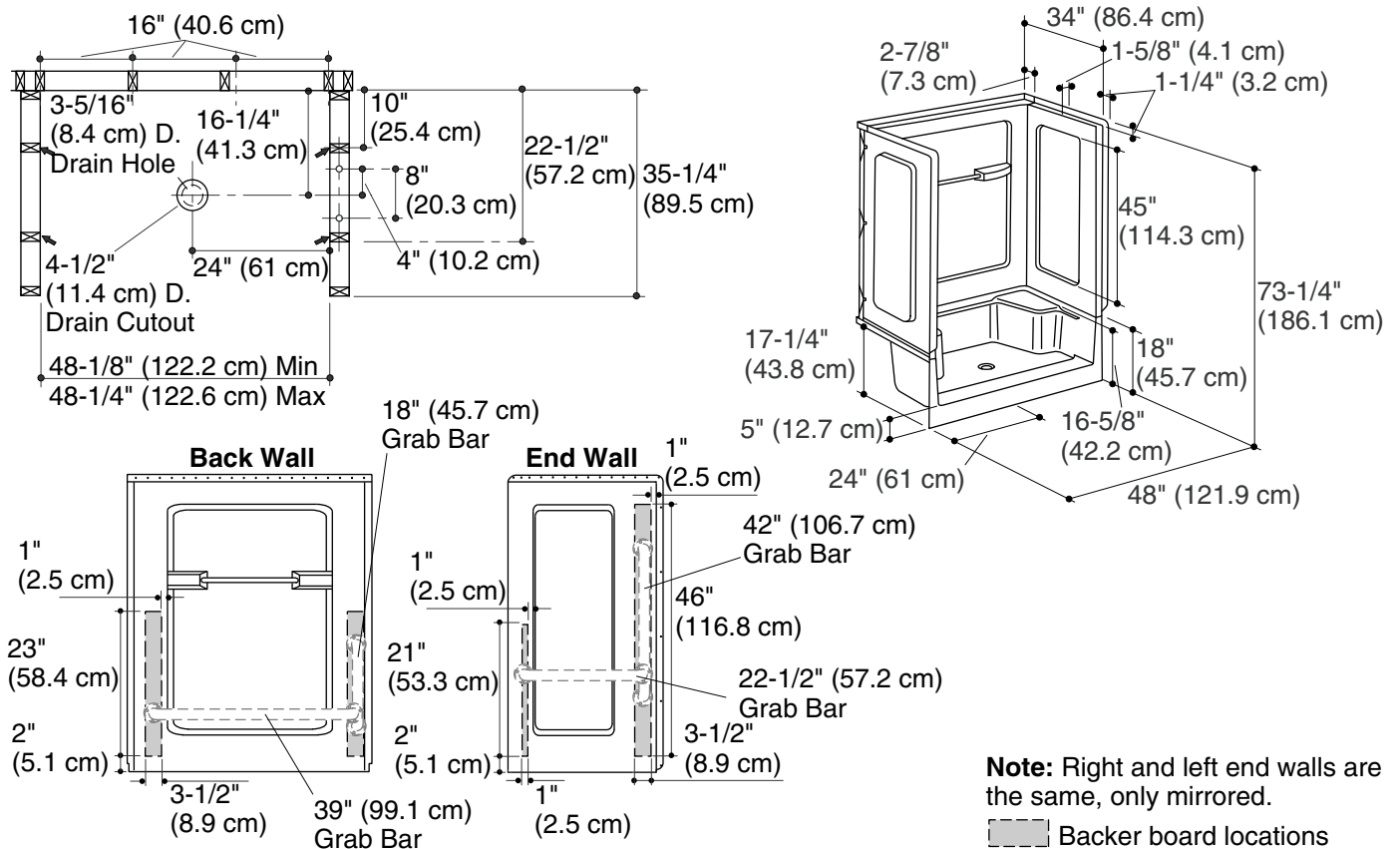
ADVANTAGE™

Technical Information

Model	Door maximum width*	Door maximum height
62030106	44-3/4" (113.7 cm)	67" (170.2 cm)
* NOTE: For shower door installation use the STERLING "SP" fixture specific door only, due to draft angle on shower surround walls.		

Installation Notes

Install this product according to the installation guide.
 End stud positioning is critical if nailing-in flanges are used.
 Double studding is recommended for pivot shower door installations.



Product Diagram