



Staccato™
Top-mount Kitchen Sink
K-R3362-4

Features

- 27-inch minimum base cabinet width.
- 18-gauge stainless steel.
- Top-mount.
- Three faucet holes with one accessory hole to the right.
- Single compartment.
- Includes installation hardware.
- 25 " (635 mm) x 22 " (559 mm).

Optional Accessories

- K-8801 Sink Strainer
- K-8803 Manual Sink Basket Strainer
- K-8804 Sink Basket Strainer Body
- K-8813 Manual Sink Strainer with Tailpiece
- K-8814 Sink Strainer

Components

- Product includes:
1150001 Installation Clips

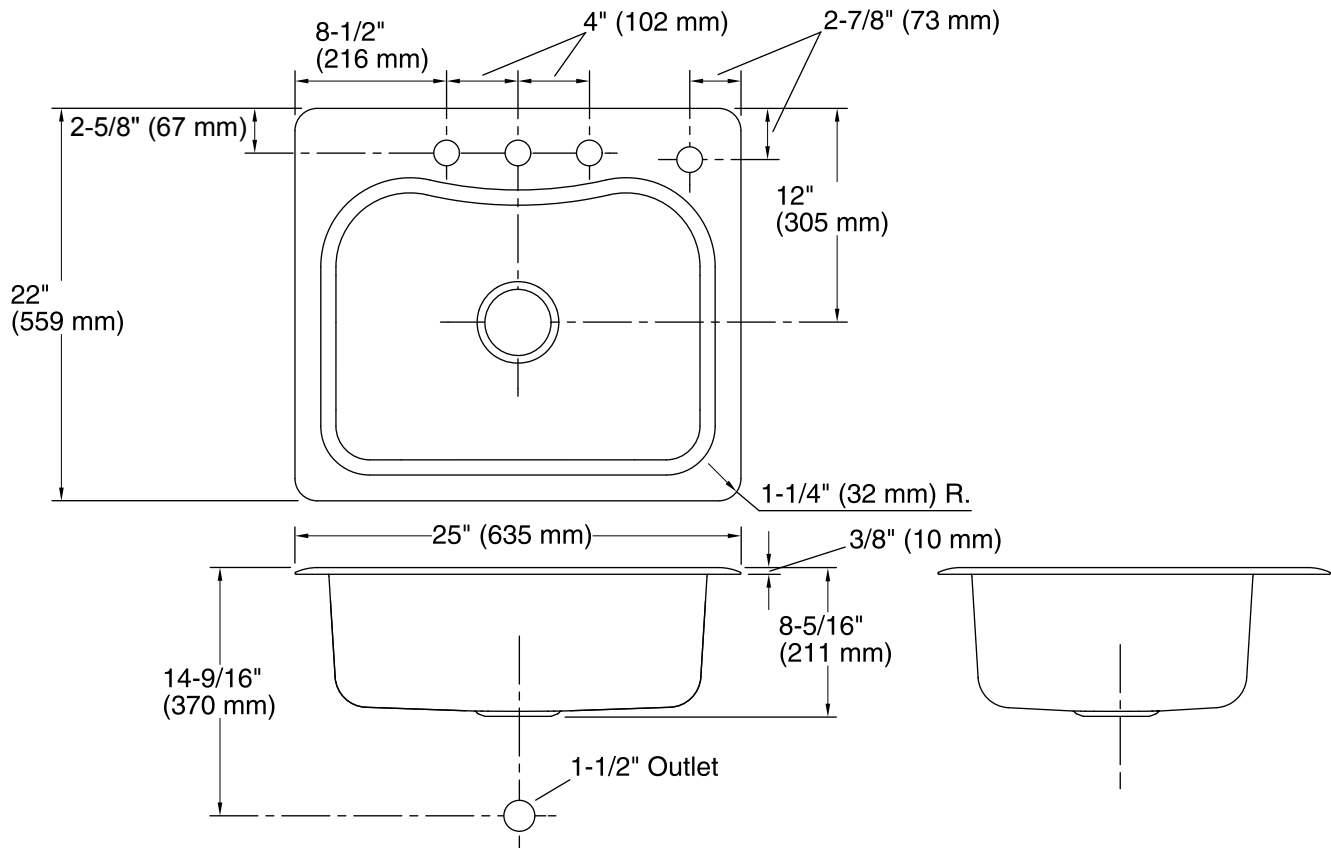


Codes/Standards

ASME A112.19.3/CSA B45.4

**Lifetime Limited Warranty for
KOHLER® Stainless Steel Sinks**

See website for detailed warranty information.



Technical Information

All product dimensions are nominal.

Bowl configuration:	Single
Installation:	Top-mount
Cutout:	Top-mount, 24-1/2" x 21-1/2" (622 mm x 546 mm) with 1" (25 mm) radius corners
Min. base cabinet width:	27" (686 mm)
Bowl area	Length: 21-1/8" (537 mm) Width: 15-3/4" (400 mm) Bowl depth: 8" (203 mm) Water depth: 8" (203 mm)
Number of deck holes:	4
Faucet hole(s):	1-7/16" (37 mm)
Drain hole:	3-5/8" (92 mm)

Notes

Install this product according to the installation instructions.