

# STERLING®

A KOHLER COMPANY

ACCORD®

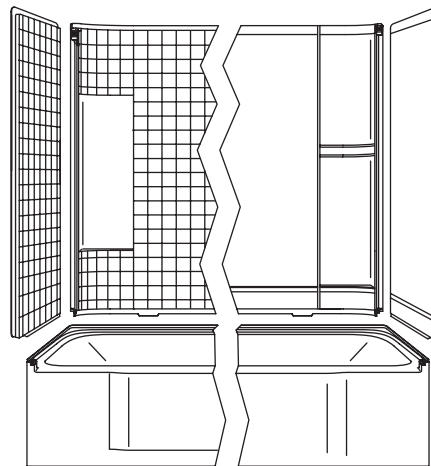
## Features

- Compression molded from our exclusive solid Vikrell® material
- Above-floor-drain (AFD) rough-in
- Durable high-gloss finish
- Modular 4-piece design
- Pivot "snap together" installation
- Wall surround available with smooth finish or glazed tile appearance
- 10-year consumer/3-year commercial limited warranty
- Caulkless seam installation
- 17-1/4" (43.8 cm) bath depth (floor to top of threshold)
- 60-1/4" (153 cm) x 31-1/4" (79.4 cm) x 75-1/2" (191.8 cm) complete unit rough-in dimensions include flanges
- 60" (152.4 cm) x 30" (76.2 cm) x 74-1/4" (188.6 cm) complete unit finished dimensions

60" (152.4 cm) AFD BATH AND WALL SURROUND

**71140112**

ALSO 71140122, 71240112, 71240122



## Codes/Standards Applicable

Specified model meets or exceeds the following:

- ANSI Z124.1.2
- ASTM E162
- ASTM E662
- CSA B45.5

## Colors/Finishes

- 0: White
- Other: Refer to Price Book for additional colors/finishes

## Specified Model

Model	Complete Unit Description	Colors/Finishes	
71140112	60" (152.4 cm) AFD bath and wall surround, tile wall, left drain	<input type="checkbox"/> 0	<input type="checkbox"/> Other _____
71140122	60" (152.4 cm) AFD bath and wall surround, tile wall, right drain	<input type="checkbox"/> 0	<input type="checkbox"/> Other _____
71240112	60" (152.4 cm) AFD bath and wall surround, smooth wall, left drain	<input type="checkbox"/> 0	<input type="checkbox"/> Other _____
71240122	60" (152.4 cm) AFD bath and wall surround, smooth wall, right drain	<input type="checkbox"/> 0	<input type="checkbox"/> Other _____

Model	ADA Adaptive Component Description	Colors/Finishes	
71140118	AFD complete unit with age in place backers, left drain	<input type="checkbox"/> 0	<input type="checkbox"/> Other _____
71140128	AFD complete unit with age in place backers, right drain	<input type="checkbox"/> 0	<input type="checkbox"/> Other _____
71240118	AFD complete unit with age in place backers, left drain	<input type="checkbox"/> 0	<input type="checkbox"/> Other _____
71240128	AFD complete unit with age in place backers, right drain	<input type="checkbox"/> 0	<input type="checkbox"/> Other _____

## Technical Information

Fixture*:	
Basin area:	
Bathing well	46-1/4" (117.5 cm) x 20-1/2" (52.1 cm)
Top area	52-1/4" (132.7 cm) x 22-1/2" (57.2 cm)
To overflow:	
Water depth	11" (27.9 cm)
Capacity	34 gal (128.7 L)
* Approximate measurements for comparison only.	

Model	door maximum width	door maximum height
71140112	56-3/4" (144.1 cm)	56-1/2" (143.5 cm)
71140122		
71240112		
71240122		

## Installation Notes

Install this product according to the installation guide.

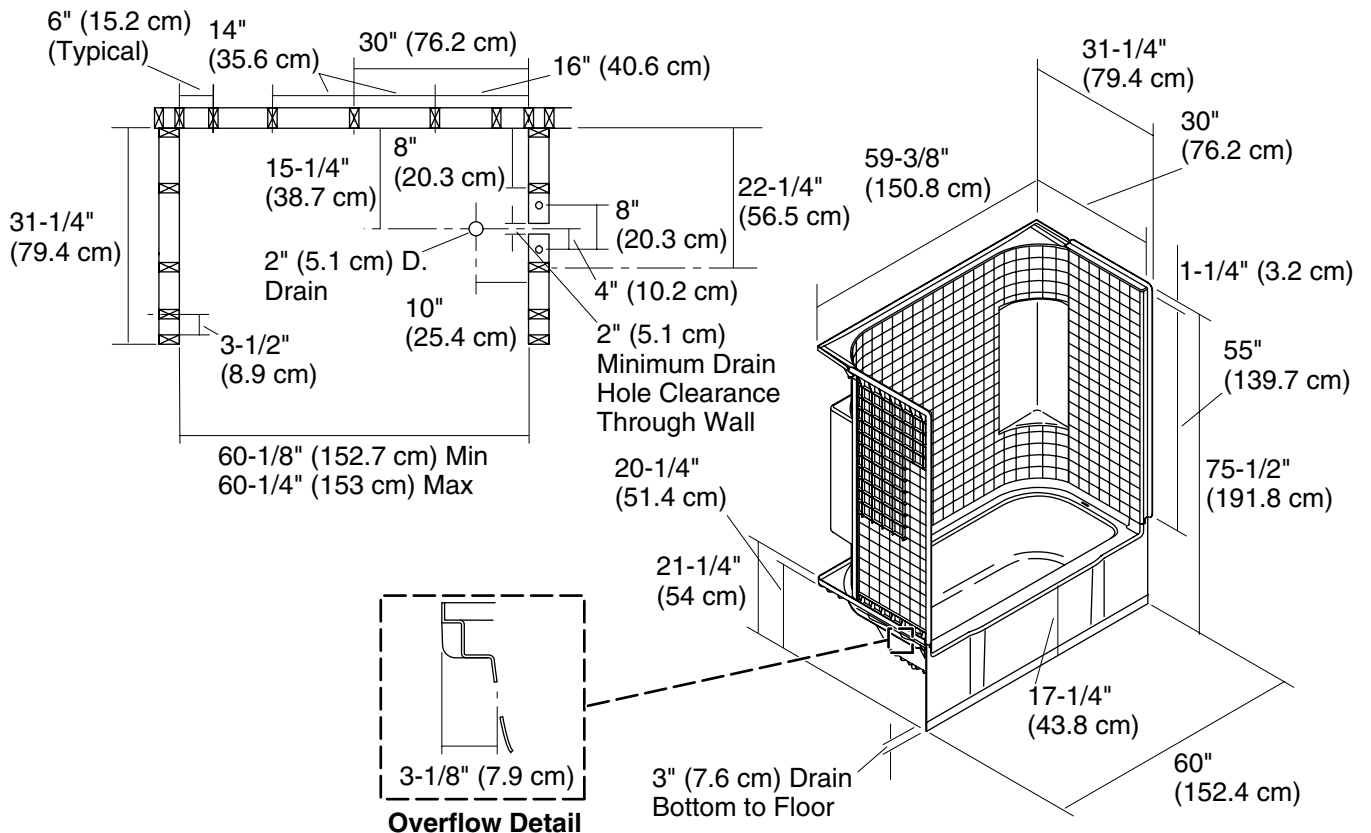
Product is designed to be used with a single-handle mixer valve with an escutcheon cover not to exceed 7-3/4" (19.7 cm) in width.

Size the drain hole clearance to fit the drain assembly that will be used.

Studs should be positioned roughly as shown.

Bath cannot be installed without the wall surround.

The width of the module gets 5/8" (1.6 cm) narrower at the back. Furring strips (approximately 1/4" (6 mm)) should be used at the back corner studs if the drywall will overlap the nailing flange.



## Product Diagram