

# STERLING®

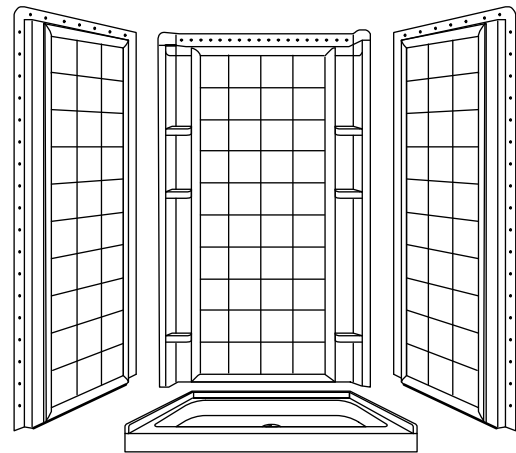
A KOHLER COMPANY

ENSEMBLE™

## Features

- Compression molded from our exclusive solid Vikrell® material
- Tongue-and-groove 4-piece modular design allows for easy "snap together" installation
- Durable high-gloss finish
- 10-year consumer/3-year commercial limited warranty
- Convenient shelves provide generous storage
- Shaving ledge and foot rest added for comfort
- Wall surround allows for attachment of grab bars
- Tile design
- 48" (121.9 cm) x 35-1/4" (89.5 cm) x 77" (195.6 cm) complete unit rough-in dimensions include flange
- 48" (121.9 cm) x 34" (86.4 cm) x 75-3/4" (192.4 cm) complete unit finished dimensions

## 48" (121.9 cm) SHOWER BASE AND SURROUND WITH BACKER BOARDS 72120106



## Codes/Standards Applicable

Specified model meets or exceeds the following:

- ASTM E162
- ASTM E662
- CSA B45.5/IAPMO Z124

## Colors/Finishes

- 0: White
- Other: Refer to Price Book for additional colors/finishes

## Specified Model

Model	Complete Unit Description	Colors/Finishes	
72120106	48" (121.9 cm) shower base and wall surround with backer boards, center drain	<input type="checkbox"/> 0	<input type="checkbox"/> Other_____
Model	Wall Component Description	Colors/Finishes	
72122106	Back wall with backer boards	<input type="checkbox"/> 0	<input type="checkbox"/> Other_____
72105106	End walls with backer boards	<input type="checkbox"/> 0	<input type="checkbox"/> Other_____

# ENSEMBLE™

## Technical Information

Model	Door maximum width	Door maximum height
72120106	44-5/8" (113.3 cm)	70-1/2" (179.1 cm)

## Installation Notes

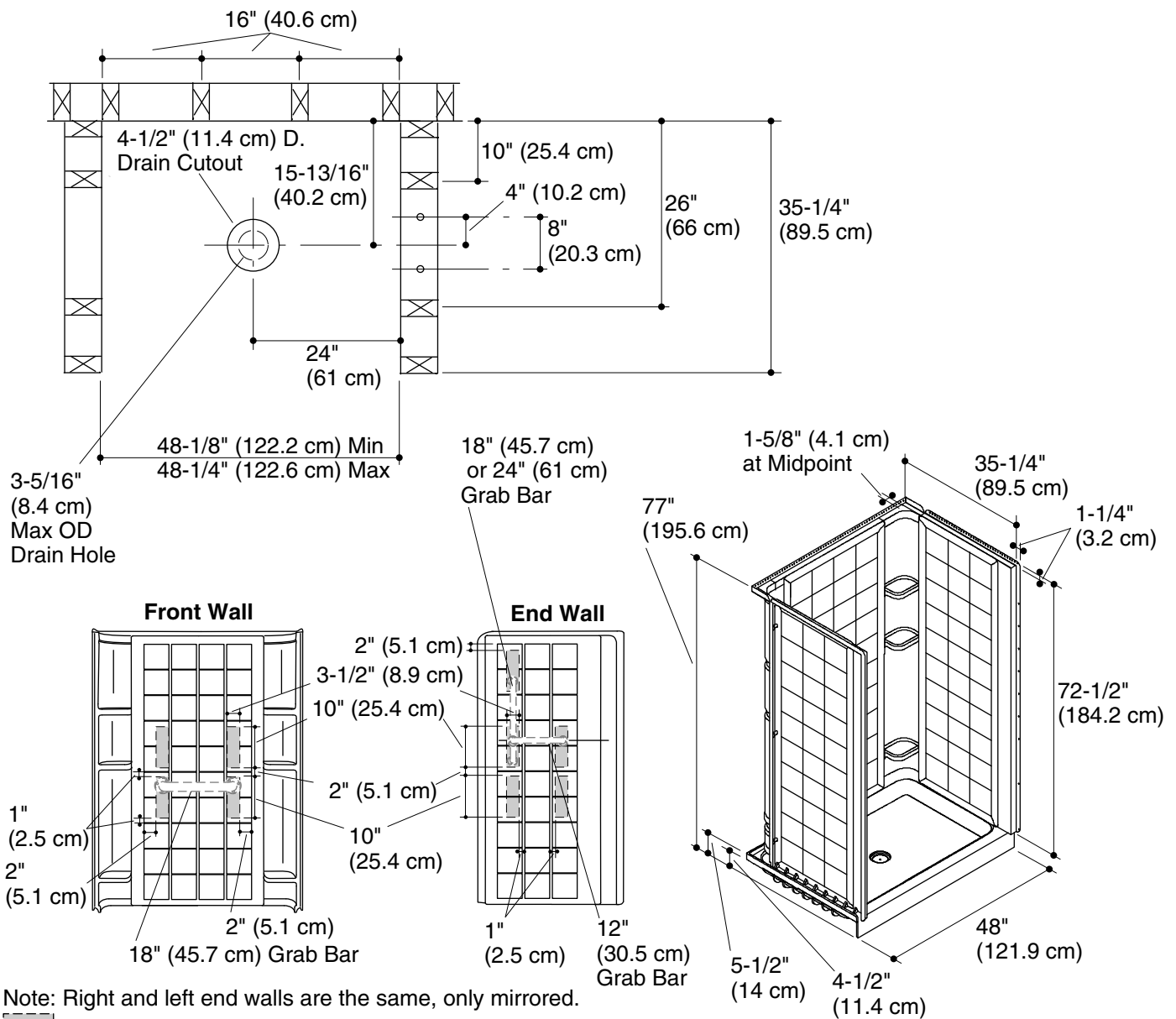
Install this product according to the installation guide.

Size the drain cutout to fit the drain assembly that will be used.

Double studding is recommended for pivot shower door installations.

Studs should be positioned roughly as shown.

Attach grab bars at the specified backer board locations only.



## Product Diagram

ENSEMBLE™ 48" (121.9 cm) SHOWER BASE AND SURROUND WITH BACKER BOARDS