



Features

- Modular design allows it to be moved around corners and through doorways with ease.
- Durable high gloss finish.
- Acrylic towel bar included on back wall.
- Above floor drain (AFD) rough-in.
- Wall surround includes backer boards for future attachment of grab bars.
- 17-1/4" (438 mm) bath depth (floor to top of threshold).
- 60" (1524 mm) x 29" (737 mm) x 77-3/4" (1975 mm) complete unit finished dimensions.

Material

- Compression modded from our exclusive solid Vikrell® material.

Installation

- Tongue-and-groove four-piece modular design allows for easy snap together installation.
- Caulk is required in seams for proper installataion.

Components

Product includes:

71041112 60" AFD Bath

71044106 60" Bath/Shower Wall Set w/Backer Boards



Codes/Standards

CSA B45.5/IAPMO Z124

ASTM E162

ASTM E662

Greenguard UL 2818 - Gold



HUD, UM Bulletin 73

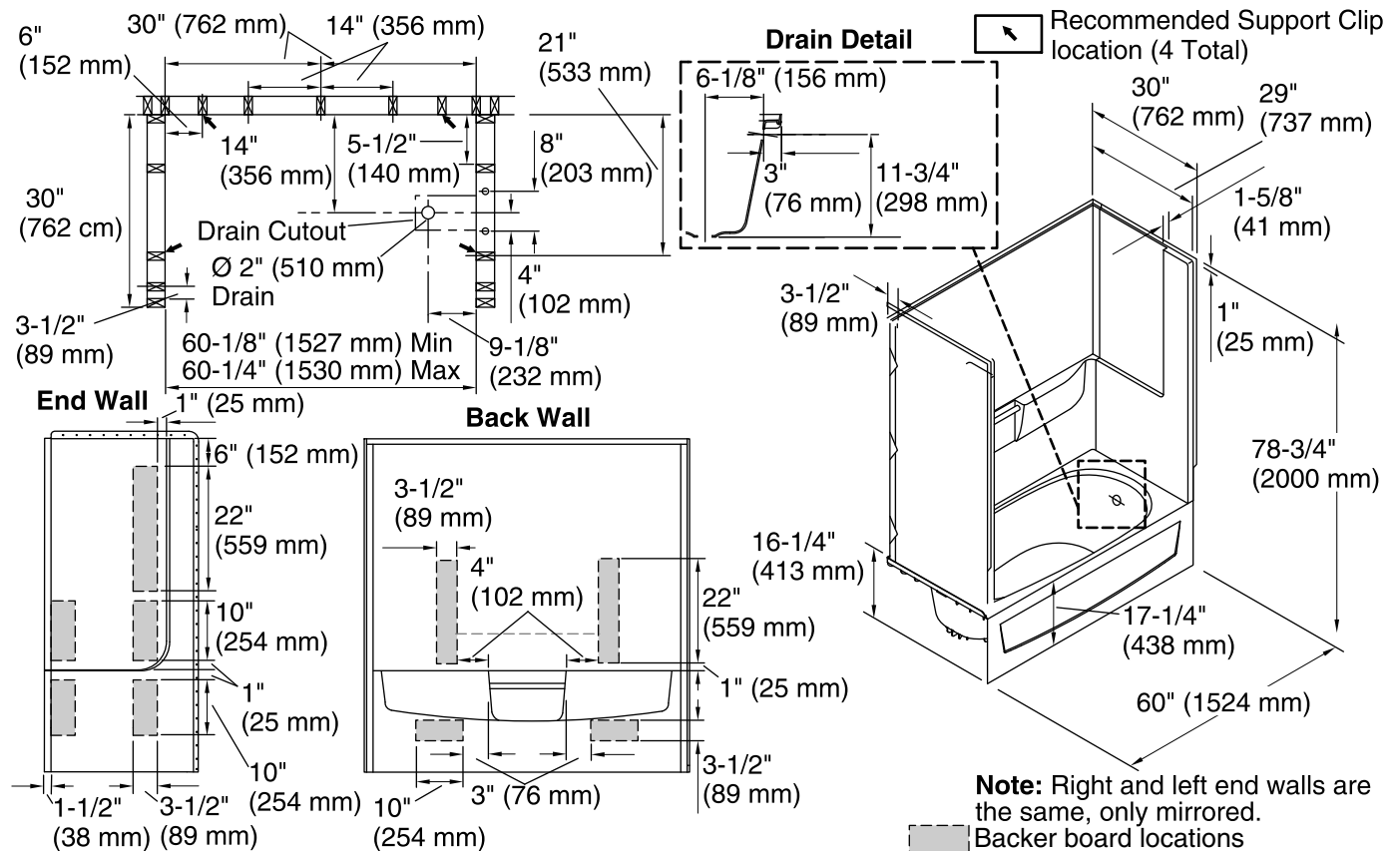
STERLING® Warranty - Fixtures Made of Solid Vikrell Material

See website for detailed warranty information.

Available Color/Finishes

Color tiles intended for reference only.

Color	Code	Description
	0	White
	96	KOHLER Biscuit



Technical Information

All product dimensions are nominal.

Installation:	3-Wall Alcove
Drain location:	Left
Basin area, bottom:	21" x 39" (533 mm x 991 mm)
Basin area, top:	24" x 53" (610 mm x 1346 mm)
Water depth:	10-1/4" (260 mm)
Water capacity:	35 gal (132.5 L)
Minimum flat for door:	1-3/4" (44 mm)
Door height required:	59-1/2" (1511 mm)
Door width required:	56-3/4" (1441 mm)

Notes

Install this product according to the installation instructions.

Studs should be positioned roughly as shown.

Double studding is recommended for pivot shower door installations.

Attach grab bars at the specified backer board locations only.