

Features

- Acrylic
- 8 color-matched Kohler hydro-massage jets
- Integral apron with removable access panel
- Pump with air switch and grounding-type plug-in cord
- Integral tile flange
- In-line heater
- Left or right drain
- Slotted overflow for maximum bathing depth
- Integral lumbar support
- Armrests
- 60" (152.4 cm) x 32" (81.3 cm) x 19" (48.3 cm)

Codes/Standards Applicable

Specified model meets or exceeds the following:

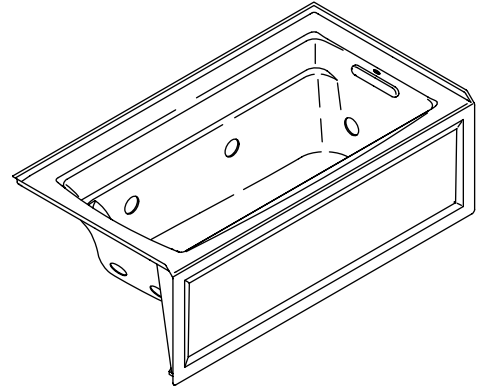
- ADA
- ICC/ANSI A117.1
- ASME A112.19.7M
- ANSI Z124.1.2
- ASTM E162
- ASTM E662

5' (1.5 m) BATH WHIRLPOOL WITH HEATER

K-1122-HL

ALSO K-1122-HR

ADA



Colors/Finishes

- 0: White
- Other: Refer to Price Book for additional colors/finishes

Accessories

- CP: Polished Chrome
- Other: Refer to Price Book for additional colors/finishes

Specified Model

| Model | Description | Colors/Finishes | |
|----------------------|--|-----------------------------|--------------------------------------|
| K-1122-HL | Bath whirlpool with integral apron and heater, left drain | <input type="checkbox"/> 0 | <input type="checkbox"/> Other _____ |
| K-1122-HR | Bath whirlpool with integral apron and heater, right drain | <input type="checkbox"/> 0 | <input type="checkbox"/> Other _____ |
| Required Accessories | | | |
| K-7271 | Clearflo slotted overflow brass bath drain OR | <input type="checkbox"/> CP | <input type="checkbox"/> Other _____ |
| K-7272 | Clearflo slotted overflow bath drain – PVC pipe | <input type="checkbox"/> CP | <input type="checkbox"/> Other _____ |

Product Specification

The acrylic bath whirlpool shall be 60" (152.4 cm) in length, 32" (81.3 cm) in width, and 19" (48.3 cm) in height. Bath whirlpool shall have 8 color-matched jets and pump with air switch and grounding-type plug-in cord. Bath whirlpool shall have an in-line heater. Bath whirlpool shall have an integral apron with removable access panel and integral tile flange. Bath whirlpool shall have left or right drain. Bath whirlpool shall have slotted overflow for maximum bathing depth, low threshold height, and integral lumbar support. Bath shall have armrests. Bath whirlpool shall be Kohler Model K-1122-_____-_____-_____.

ARCHER™

Technical Information

| | | | | |
|---|--|-----|----|------|
| Fixture*: | | | | |
| Bathing well: | | | | |
| Basin area, bottom | 45-1/8" (114.6 cm) x 19-11/16" (50 cm) | | | |
| Basin area, top | 52-3/4" (134 cm) x 25-5/16" (64.3 cm) | | | |
| Weight | 140 lbs (63.5 kg) | | | |
| To overflow: | | | | |
| Water depth | 15" (38.1 cm) | | | |
| Capacity | 58 gal (219.5 L) | | | |
| * Approximate measurements for comparison only. | | | | |
| Pump: | V | Hz | A | |
| 1-speed | 120 | 60 | 7 | |
| Heater: | kW | V | Hz | A |
| | 1.5 | 120 | 60 | 12.5 |

Required Electrical Service (2 required)

| | |
|---|--------------------|
| Two dedicated circuits required, each protected with Class A Ground-Fault Circuit-Interrupter (GFCI): | |
| Pump/control | 120 V, 15 A, 60 Hz |
| Heater | 120 V, 15 A, 60 Hz |

Installation Notes

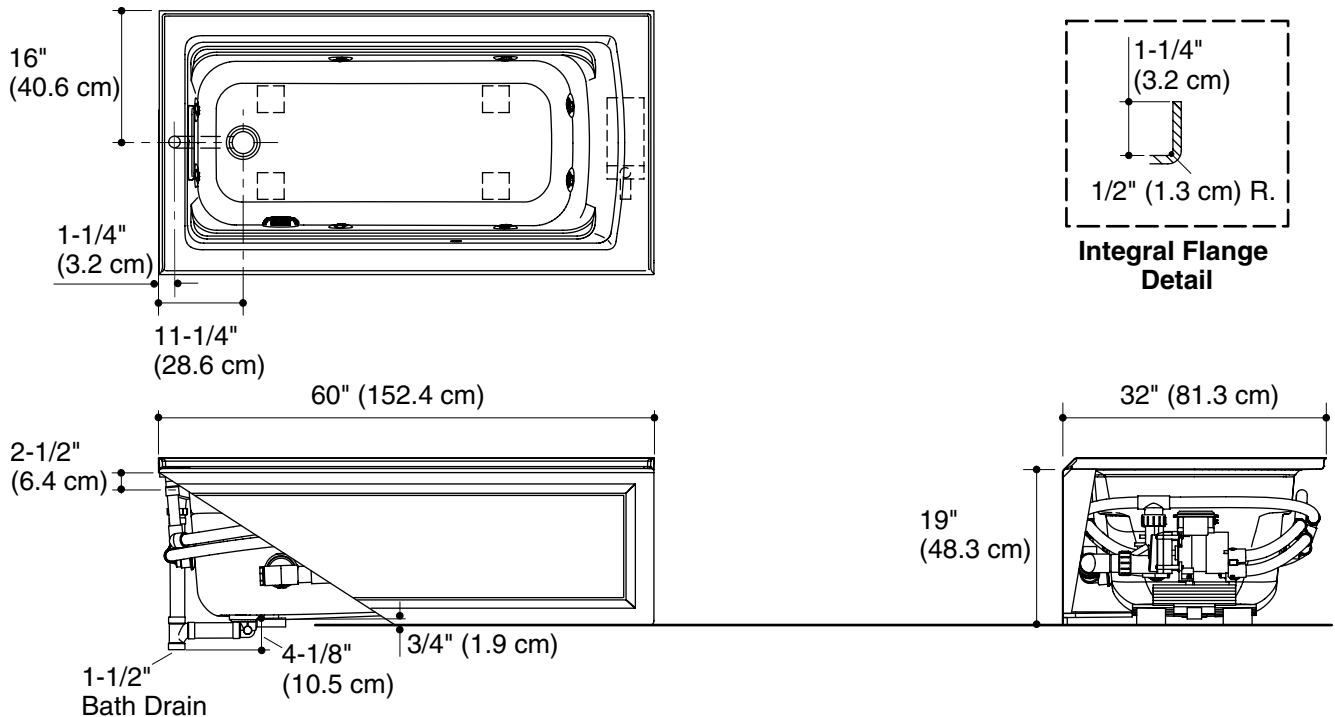
Install this product according to the installation guide.

Floor support under this product must provide for a minimum of 49 lbs/square foot (240 kg/square meter) loading.

The hot water supply should be 70% of the capacity of the bath or greater. Installations will vary.

Will comply with **ADA** when installed per Section 607 Bathtubs of the Act.

No change in measurements if connected with drain illustrated. (K-7272)



Product Diagram