



All Pro®

60" Bath/Shower w/Backer Boards

61040116



Features

- Durable swirl gloss finish.
- Convenient shelving and acrylic towel bar included on back wall.
- Wall surround includes backer boards for future attachment of grab bars.
- Modular design allows it to be moved around corners and through doorways with ease.
- 60" (1524 mm) x 29" (737 mm) x 75-1/2" (1918 mm) complete unit finished dimensions.

Material

- Compression molded from our exclusive solid Vikrell® material.

Installation

- Tongue-and-groove four-piece modular design allows for easy snap together installation.
- Caulk is required in the seams for proper installation.

Components

Product includes:

- 71044106 60" Bath/Shower Wall Set w/Backer Boards
- 71041110 60" Bath



Codes/Standards



CSA B45.5/IAPMO Z124
ASTM E162
ASTM E662
Greenguard UL 2818 - Gold
HUD, UM Bulletin 73

STERLING® Warranty - Fixtures Made of Solid Vikrell Material

See website for detailed warranty information.

Available Color/Finishes

Color tiles intended for reference only.

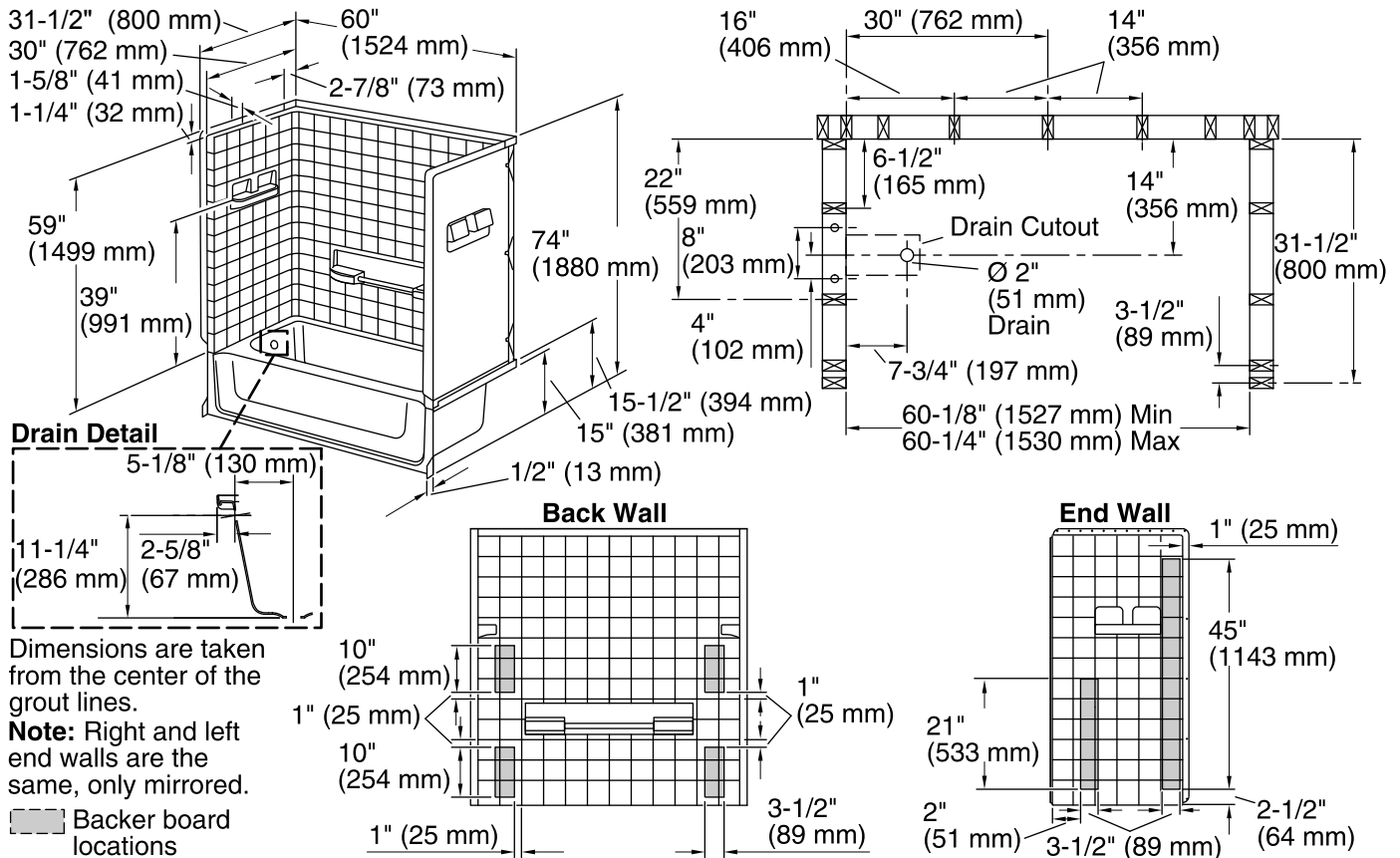
Color	Code	Description
	0	White
	96	KOHLER Biscuit

USA/Canada: 1-800-STERLING (1-800-783-7546)

Kohler Co. reserves the right to make revisions without notice to product specifications.

For the most current Specification Sheet, go to www.sterlingplumbing.com.

8-31-2017 04:27



Technical Information

All product dimensions are nominal.

Installation:	3-Wall Alcove
Drain location:	Left
Basin area, bottom:	48" x 21" (1219 mm x 533 mm)
Basin area, top:	55" x 23" (1397 mm x 584 mm)
Water depth:	9-3/8" (238 mm)
Water capacity:	44 gal (166.6 L)
Minimum flat for door:	2-1/4" (57 mm)
Door height required:	59-1/2" (1511 mm)
Door width required:	56-3/4" (1441 mm)

Notes

Install this product according to the installation instructions.

Double studing is recommended for pivot shower door installations.

Studs should be positioned roughly as shown.

Attach grab bars at the specified backer board locations only.