

STERLING®

A KOHLER COMPANY

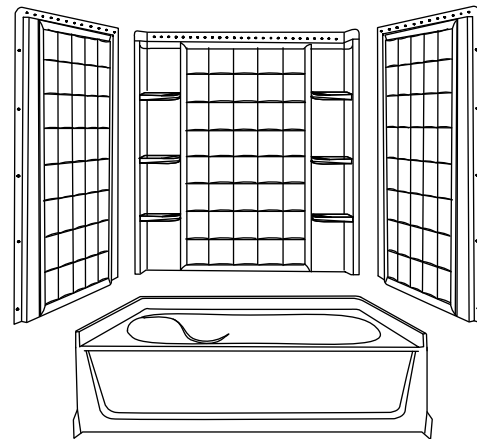
ENSEMBLE™

Features

- Compression molded from our exclusive solid Vikrell® material
- Gentle sloping back, neck, and armrest in bath design
- Tongue-and-groove 4-piece modular design allows for easy "snap together" installation
- Durable high-gloss finish
- 10-year consumer/3-year commercial limited warranty
- Integral apron with removable access panel
- 16" (40.6 cm) bath depth (floor to top of dam)
- 3" (7.6 cm) wainscot/tile ledge
- 60" (152.4 cm) x 37-1/2" (95.3 cm) x 73-1/4" (186.1 cm) complete unit rough-in dimensions include flanges
- 60" (152.4 cm) x 36" (91.4 cm) x 72" (182.9 cm) complete unit finished dimensions

36" (91.4 cm) OVAL BATH/SHOWER WITH ACCESS PANEL SYSTEM

71100117
ALSO 71100127



Codes/Standards Applicable

Specified model meets or exceeds the following:

- ASTM E162
- ASTM E662
- CSA B45.5/IAPMO Z124
- HUD, UM Bulletin 73A
- NAHB Research Foundation, Inc.

Colors/Finishes

- 0: White
- Other: Refer to Price Book for additional colors/finishes

Specified Model

Model	Complete Unit Description	Colors/Finishes	
71100117	36" (91.4 cm) oval bath/shower with access panel system, left drain	<input type="checkbox"/> 0	<input type="checkbox"/> Other _____
71100127	36" (91.4 cm) oval bath/shower with access panel system, right drain (shown)	<input type="checkbox"/> 0	<input type="checkbox"/> Other _____
Model	Wall Component Description	Colors/Finishes	
71104100	Complete wall set	<input type="checkbox"/> 0	<input type="checkbox"/> Other _____

ENSEMBLE™

Technical Information

Fixture*:	
Bathing well	40" (101.6 cm) x 21" (53.3 cm)
Top area	52" (132.1 cm) x 29" (73.7 cm)
To overflow:	
Water depth	11" (27.9 cm)
Capacity	40 gal (151.4 L)
* Approximate measurements for comparison only.	

Model	Door maximum width	Door maximum height
71100117	58-1/2" (148.6 cm)	56-1/2" (143.5 cm)
71100127		

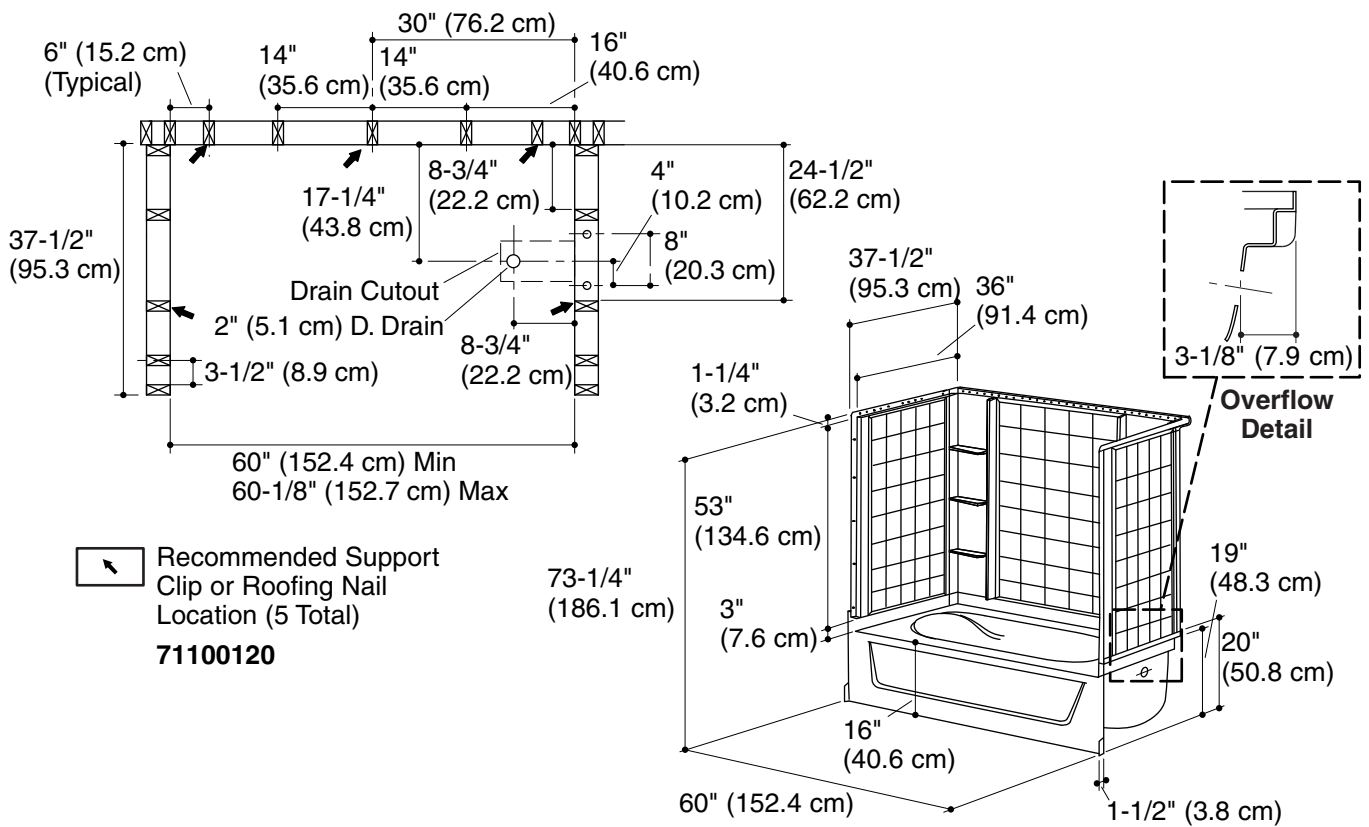
Installation Notes

Install this product according to the installation guide.

Size the drain cutout to fit the drain assembly that will be used.

Stud positioning is critical.

Studs should be positioned roughly as shown for support clip or roofing nail installation.



Product Diagram

ENSEMBLE™ 36" (91.4 cm) OVAL BATH/SHOWER WITH ACCESS PANEL SYSTEM