

Features

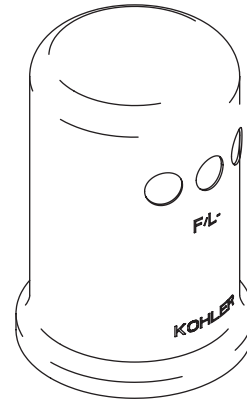
- Solid polypropylene body
- Brass construction of cap
- Complements Kohler® faucet finishes

AIR GAP
K-9110
ALSO K-9111

Codes/Standards Applicable

Specified model meets or exceeds the following:

- IAPMO/UPC



Colors/Finishes

- CP: Polished Chrome
- G: Brushed Chrome
- BN: Brushed Nickel
- PB: Vibrant® Polished Brass
- SN: Vibrant® Polished Nickel
- BV: Vibrant® Brushed Bronze
- BX: Vibrant® Brazen Bronze
- AF: Vibrant® French Gold

Specified Model:

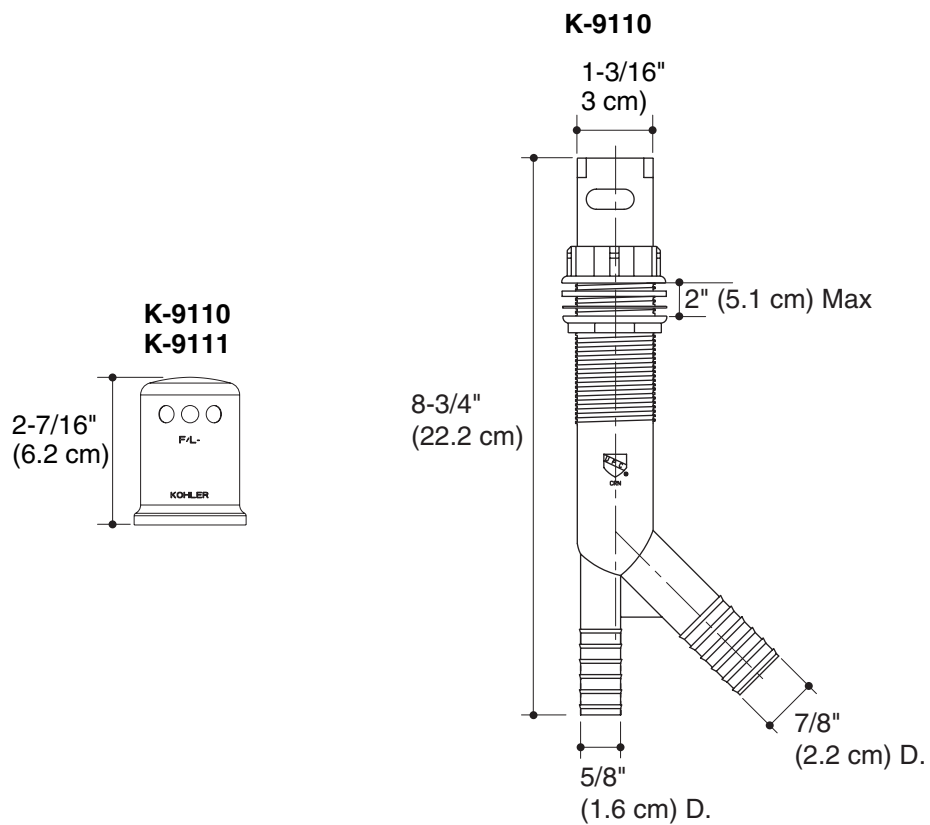
Model	Description	Colors/Finishes							
K-9110	Air gap body with cover	<input type="checkbox"/> CP	<input type="checkbox"/> G	<input type="checkbox"/> BN	<input type="checkbox"/> SN	<input type="checkbox"/> AF	<input type="checkbox"/> PB	<input type="checkbox"/> BV	<input type="checkbox"/> BX
Optional Accessories									
K-9111	Air gap cover with collar	<input type="checkbox"/> CP	<input type="checkbox"/> G	<input type="checkbox"/> BN	<input type="checkbox"/> SN	<input type="checkbox"/> AF	<input type="checkbox"/> PB	<input type="checkbox"/> BV	<input type="checkbox"/> BX

Product Specification

Air gap body shall be of polypropylene construction. Product shall feature air gap cover made of brass construction, which complements the Kohler® faucet line. Air gap body with cover shall be Kohler Model K-____-____.

Installation Notes

Install this product according to the installation guide.



Product Diagram