

**Features**

- Brass construction
- Front seal plate assembly
- ADA compliant lever handle
- Intended for use with Kohler valves
- Complements the Symbol faucet line

**THERMOSTATIC FAUCET TRIM  
K-T18090**

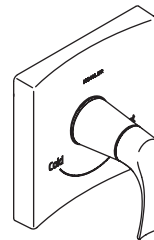
**ALSO K-T18091, K-T18491**

**ADA**

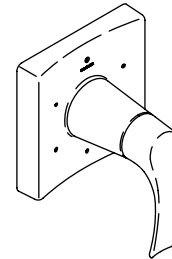
**Codes/Standards Applicable**

Specified model meets or exceeds the following:

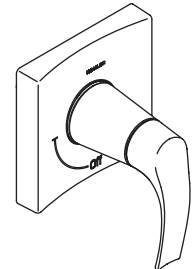
- ADA
- ASME A112.18.1/CSA B125.1
- ICC/ANSI A117.1



**K-T18090**



**K-T18491**



**K-T18091**

**Colors/Finishes**

- CP: Polished Chrome
- Other: Refer to Price Book for additional colors/finishes

**Specified Model**

Model	Description	Color/Finish	
K-T18090	Thermostatic valve trim	<input type="checkbox"/> CP	<input type="checkbox"/> Other _____
K-T18091	Volume control valve trim	<input type="checkbox"/> CP	<input type="checkbox"/> Other _____
K-T18491	Transfer valve trim	<input type="checkbox"/> CP	<input type="checkbox"/> Other _____

Required Valve		
K-669-KS	3/4" thermostatic valve	<input type="checkbox"/> NA
K-671-K	3/4" volume control valve	<input type="checkbox"/> NA
K-679-KS	1/2" thermostatic valve	<input type="checkbox"/> NA
K-681-K	1/2" volume control valve	<input type="checkbox"/> NA
K-728-K	3/4" transfer valve	<input type="checkbox"/> NA

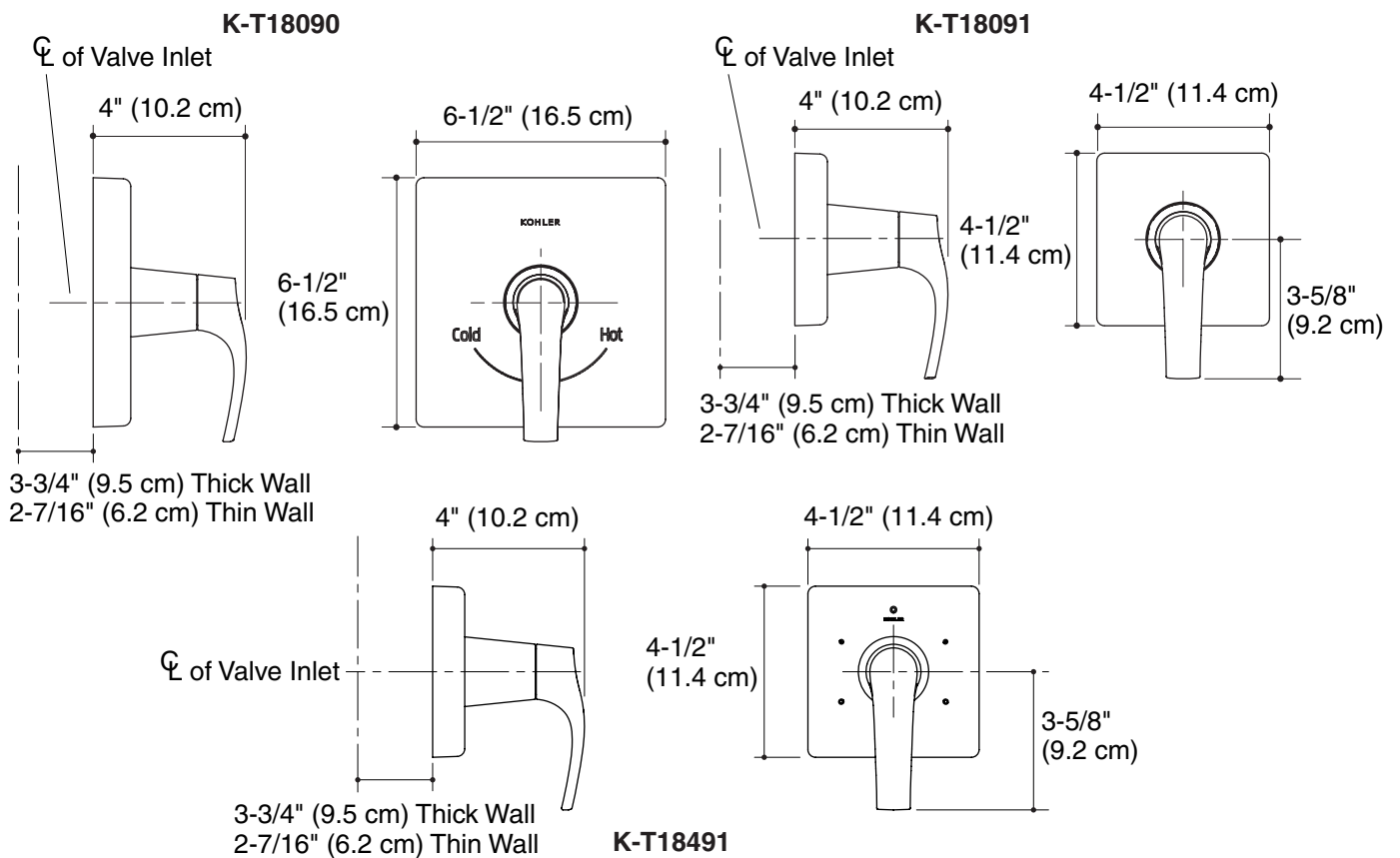
**Product Specification**

Thermostatic faucet trim shall be of brass construction. Thermostatic faucet trim shall feature front seal plate assembly and lever handle. Thermostatic faucet trim shall require Kohler valves. Thermostatic faucet trim shall complement the Symbol faucet line. Thermostatic faucet trim shall be Kohler Model K-\_\_\_\_\_-\_\_\_\_\_.

# SYMBOL™

## Installation Notes

Install this product according to the installation guide.



### Product Diagram