



Features

- Unique quarter-deck design provides shelf space for storage and cleaning.
- Surface texture maintains superior stain and scratch resistance.
- Drill marks provided for faucet hole drilling.

Material

- Compression molded from our exclusive solid Vikrell® material.

Installation

- Installed as top-mount or undermount.



Codes/Standards

CSA B45.5/IAPMO Z124
Greenguard UL 2818 - Gold
All applicable US Federal and State material regulations



STERLING® Warranty - Fixtures Made of Solid Vikrell Material

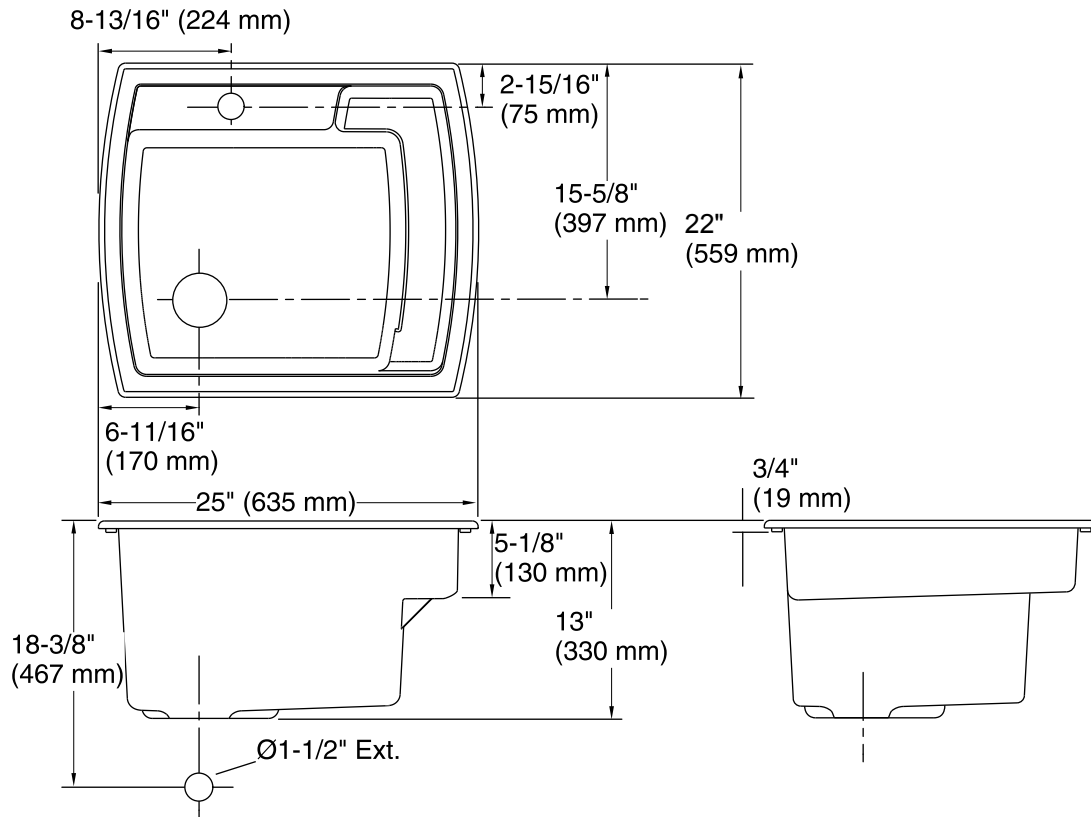
See website for detailed warranty information.

Available Color/Finishes

Color tiles intended for reference only.

Color Code Description

	0	White
	96	Biscuit



Technical Information

All product dimensions are nominal.

Bowl configuration: Single

Installation: Top-mount, Under-mount

Bowl area (Only) Length: 22" (559 mm)
Width: 16" (406 mm)
Bowl depth: 12-1/4" (311 mm)
Water depth: 12-1/4" (311 mm)

Number of deck holes: 3

Faucet hole(s): 1-3/8" (35 mm)

Drain hole: 3-1/2" (89 mm)

Template: Top-mount/Under-mount, 1148620-7,
required, included