

### Features

- High-arch spout and 360-degree spout rotation offer superior clearance for filling pots and cleaning.
- UltraGlide engineered ceramic disc valves resist deterioration and mineral buildup, resulting in long-lasting, reliable performance.
- Two lever handles offer separate control of hot and cold water.
- Available in 7-3/4" (197 mm) swing spout reach.
- Matching finish sidespray.
- 1.8 gallons (6.8 L) per minute maximum flow rate at 60 psi (4.1 bar).
- Meets CalGreen requirements for kitchen faucets.

### Material

- Premium Metal construction.
- KOHLER finishes resist corrosion and tarnishing.

### Installation

- Four-hole installation.
- Handles pre-assembled on valves to simplify installation.

### Recommended Accessories

K-1893 Soap/Lotion Dispenser



ADA CSA B651

### Codes/Standards

ASME A112.18.1/CSA B125.1

NSF 61

NSF 372

All applicable US Federal and State material regulations

DOE - Energy Policy Act 1992

California Energy Commission (CEC)

ADA

ICC/ANSI A117.1

CSA B651

### KOHLER® Faucet Lifetime Limited Warranty

See website for detailed warranty information.

### Available Color/Finishes

*Color tiles intended for reference only.*

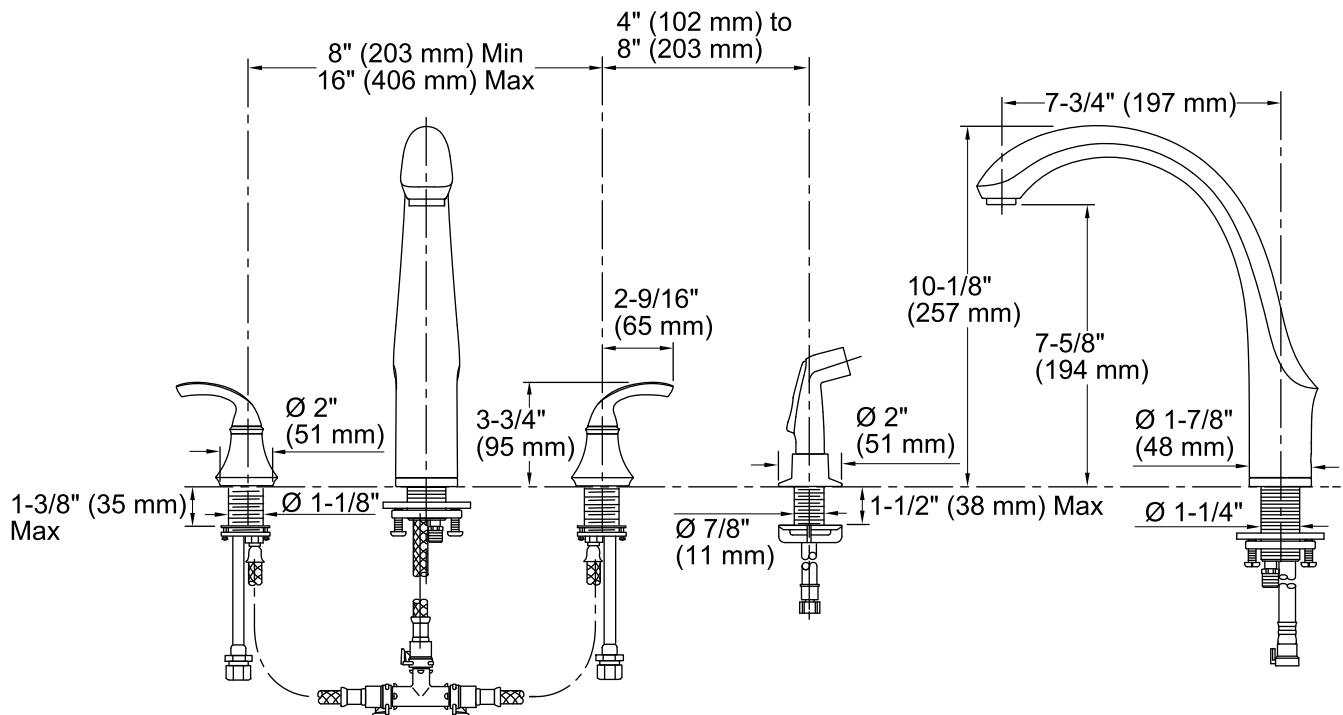
Color	Code	Description
-------	------	-------------



CP Polished Chrome



BN Vibrant® Brushed Nickel



## Technical Information

All product dimensions are nominal.

### Spout:

Spout reach: 7-3/4" (197 mm)

Handle clearance: 2-9/16" (65 mm)

### Faucet:

Flow rate: 1.8 gal/min (6.8 l/min)

Pressure: 60 psi (4.1 bar)

## Notes

Install this product according to the installation guide.

ADA, CSA B651 compliant when installed to the specific requirements of these regulations.